

Inductive coupler IO-Link V1.1 secondary cable with female M12 M30

Port Class A

IO-Link Coupler (sec.)

M12 (4極)

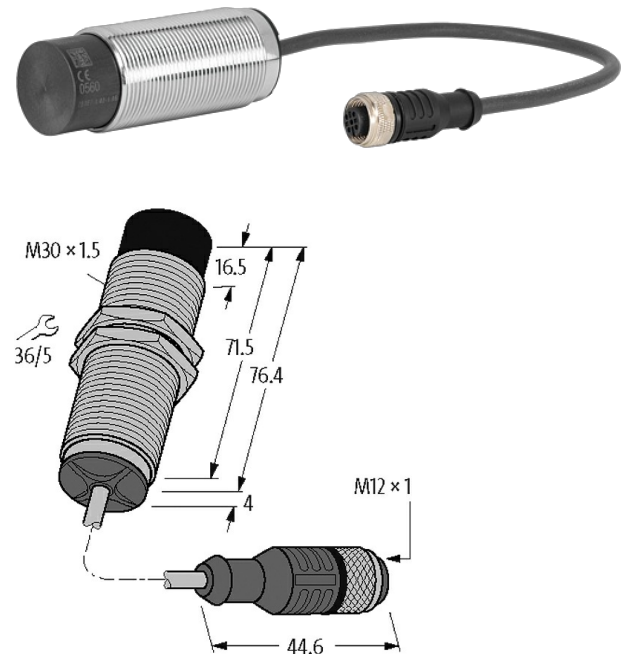
接続ケーブル 0.3m

IO-Link V1.1

接続ケーブルは、オンラインショップの「接続技術」の項目にあります。

Link to Product

Illustration



Product may differ from Image

More Info



Technical Data

Nominal distance	0...7 mm (prim./sec.)
Standby power (coupled)	4 W
Standby power (uncoupled)	1 W
Start-/coupling time	10 ms
Standby time	160 ms
Short-circuit protection	yes
Invers-polarity protection	yes
Rotation	1250 rpm

General data

Protection	IP67/IP68
Material (housing)	真鍮, クロムメッキ
Labeling	レーザー印字

Temperature range	-20...+55 °C
Dimensions H×W×D	30×30×76.4 mm
IO-Link	
Specification	IO-Link V1.1
Operating modes	COM2 (38.4 kbit/s)
Port Class	A
Connections	
IO-Link	M12 (メス) 4極, Aコード
Output (sec.)	
Operating voltage	24 V DC ±10%
Output current	500 mA
Highest current	2.4 A (0.1 ms); 10 A (0.02 ms)
Diagnostic	
Communication status	LED経由
Diagnostic via LED	yes
取引条件	
EAN	4048879678315
eClass	27242604
HSコード	85389099
Packaging unit	1
生産現国	CZ