

PASSIVE-DI0° PLASTIC,4XM12.4POL,PRE-WIRED CABLE

10.0m PUR-JB 4*0,34+3*0,75

4ポート, 4極

PUR/PVC

10.0 m

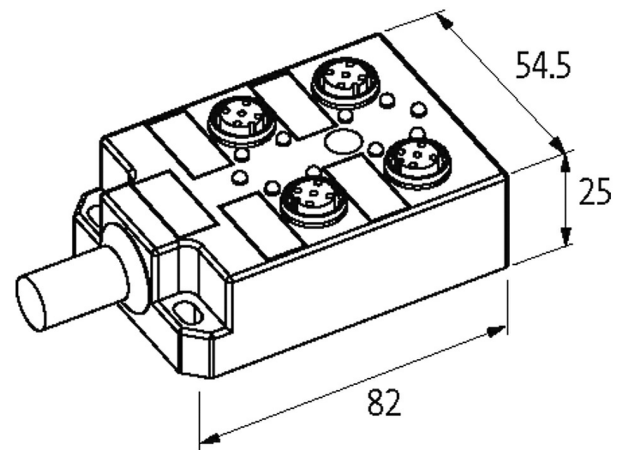
デジタルPNPシグナル 24 V DC用LED付き

ケーブル長はご要望に応じます。

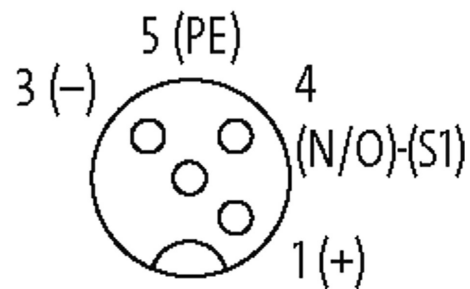
耐油・耐薬品に優れたプラスチックハウジング

[Link to Product](#)

Illustration



M12 Females 4-pole



Product may differ from Image

General data

Protection	IP67 ネジ締込時 (EN 60529)
Dimensions H×W×D	82×54.5×25 mm
Temperature range	-20...+80 °C

Technical Data

Operating voltage	24 V DC
Operating current per contact	max. 4 A
Total current	max. 10 A
Signal per port	1 - (31-32)
Locking of ports	ネジ山 (M12×1 mm)

Cables	
Cable number	333
No./diameter of wires	4× 0.34 + 3× 0.75 mm ²
Wire isolation	PVC
C-track properties	2 Mio.
Jacket Color	灰色
Material (jacket)	PUR/PVC
Outer Ø	7.4 mm ±5%
Bend radius (moving)	12× 外径
Temperature range (fixed)	-30...+80 °C
Temperature range (mobile)	-5...+70 °C
Cable identification	333
Cable Type	2 (PUR/PVC)
Approval (cable)	UL (AWM-Style 21441/10955), CE conform
Cable weight [g/m]	91,3
Material (wire)	裸銅線
Resistor (core)	max. 57 Ω/km (0.34 mm ²), max. 26 Ω/km (0.75 mm ²); (20 °C)
Single wire Ø (core)	0.15 mm (0.34 mm ²); 0.2 mm (0.75 mm ²)
Construction (core)	19× 0.15 mm (0.34 mm ²); 24× 0.2 mm (0.75 mm ²); (ワイヤクラス 5)
Diameter (core)	4× 0.34 + 3× 0.75 mm ²
AWG	AWG 22 (0.34 mm ²) に類似, AWG 18 (0.75 mm ²) に類似
Material (wire isolation)	PVC
Material property (wire isolation)	CFCフリー、カドミウムフリー、ケイ素フリーおよび鉛フリー
Shore hardness (wire isolation)	43 ±5 D
Wire-Ø incl. isolation	1.3 mm ±5% (0.34 mm ²); 1.8 mm ±5% (0.75 mm ²)
Color/numbering of wires	ws, gn, ge, gr+br, bl, gnge längsgestreift
Shield	no
Material (jacket)	PUR/PVC
Shore hardness (jacket)	87 ±5 A
Outer-Ø (jacket)	7.4 mm ±5%
Color (jacket)	灰色
chemical resistance	優れた耐油性、耐ガソリン性および耐化学薬品性(EN 60811-404)
Nominal voltage	U0/U 300/300 V AC
Test voltage	2000 V AC
Current load capacity	DIN VDE 0298-4に準拠
Temperature range (fixed)	-30...+80 °C
Temperature range (mobile)	-5...+70 °C
Bend radius (fixed)	5× 外径
Bend radius (moving)	12× 外径
No. of bending cycles (C-track)	max. 2 Mio. (25 °C)
Traversing distance (C-track)	max. 5 m (horizontal)
Travel speed (C-track)	max. 2 m/s
Acceleration (C-track)	max. 10 m/s ²
Contact Layout	
PIN 1	(+)
PIN 3	(-)
PIN 4	(NO)/(S1)
PIN 5	(アース)

LED (緑): 電源 / LED (黄色): (S1)

取引条件

EAN	4048879062879
eClass	27279219
HSコード	85444290
Packaging unit	1
生産現国	CZ