

MSUD DOUBLE VALVE PLUG FORM BI 11MM

PUR 4X0.75 GRAY, 10m

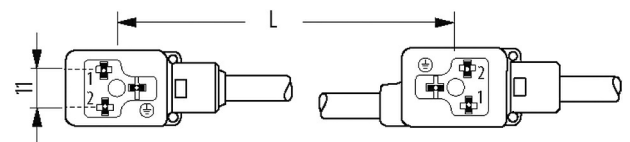
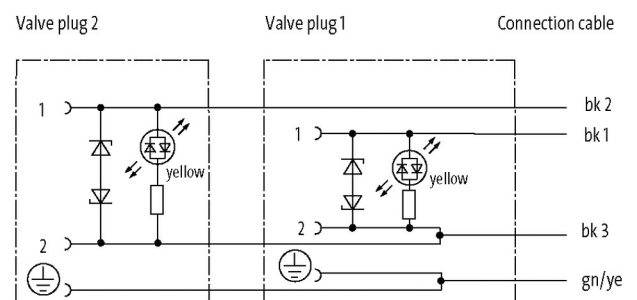
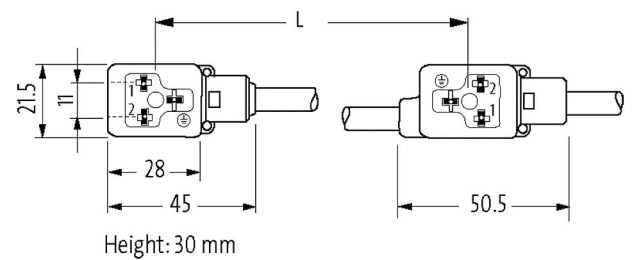
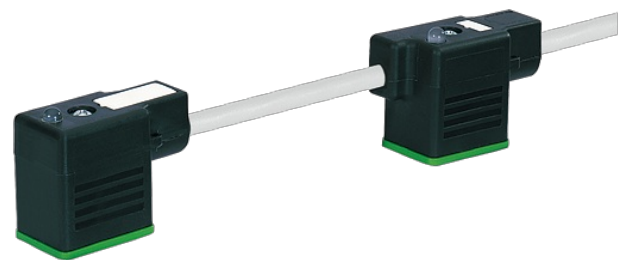
MSUD

Form BI 11 mm

24 V AC $\pm 20\%$ / DC $\pm 25\%$

LED

= 200 mm

[Link to Product](#)**Illustration**

Product may differ from Image

cCSAus

* UL/CSA

Form

The information in this brochure has been compiled with the utmost care.

Liability for the correctness completeness and topicality of the information is restricted to gross negligence. Version: 01/20

Murrelektronik GmbH | Falkenstraße 3 | 71570 Oppenweiler | Fon +49 (71 91) 47-0 | Fax +49 (71 91) 47-491000 | shop@murrelektronik.com | shop.murrelektronik.com

Form	58141
/	4 × 0.75 mm ²
	PVC (, , /)
C-track properties	2 Mio.
	PUR/PVC (UL/CSA)
	7.0 mm ±5%
	15×
	-30...+80 °C
	-5...+80 °C
	227
	2 (PUR/PVC)
()	UL (AWM-Style 20549/1731), CSA; CE conform
[g/m]	80,19
()	max. 26 Ω/km (20 °C)
()	0.15 mm
()	42 × 0.15 mm (6)
	4 × 0.75 mm ²
AWG	AWG 18
	PVC
	CFC
	43 ±5 D
	1.8 mm ±5%
/	
	4
	no
	PUR/PVC
)	CFC
Shore hardness (jacket)	80±5 A (PVC) 85±5 A (PUR)
()	7.0 mm ±5%
()	
	UL 300 V AC
	2000 V AC
	DIN VDE 0298-4
	-30...+80 °C
	-5...+80 °C
	10×
	15×
()	max. 2 Mio. (25 °C)
()	max. 5 m (horizontal)
()	max. 3.3 m/s
()	max. 5 m/s ²
	24 V AC ±20% / DC ±25%
	0.8 kV
	max. 4 A
	max. 15 mA

	IEC 60664-1, category I
	max. 55 V
	max. 20 ms
LED	
	M3 (0.4 Nm)
	IP67 EN 60529
	PBT
()	
	,
	/Z-
	3
	PUR
	-25 +85 ,
EAN	4048879136204
eClass	27279218
HS	85444290
Packaging unit	1
	CZ