

MSUD DOUBLE VALVE PLUG FORM BI 11MM

PVC 4X0.75 black 3m

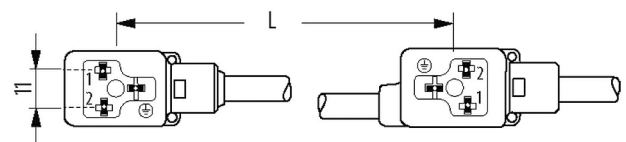
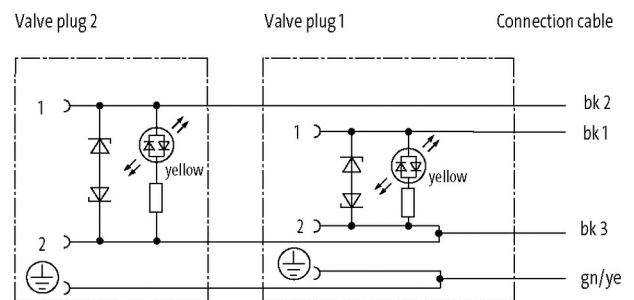
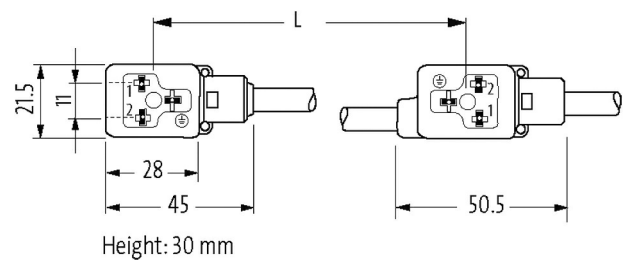
MSUD

Form BI 11 mm

24 V AC $\pm 20\%$ / DC $\pm 25\%$

LED

= 100 mm

[Link to Product](#)**Illustration**

Product may differ from Image

cCSAus

* UL/CSA

Form

Form	58101
/	4x 0.75 mm ²
	PVC (, , /)
	PVC
	6.5 mm ±5%
	10x
	-30...+70 °C
	-5...+70 °C
	617
	1 (PVC)
()	CE conform
[g/m]	77,66
()	max. 26 Ω/km (20 °C)
()	0.2 mm
()	24x 0.2 mm (5)
	4x 0.75 mm ²
AWG	AWG 18
	PVC
	CFC
	43 ±5 D
	1.8 mm ±5%
/	
	4
	no
	PVC
)	CFC
Shore hardness (jacket)	80 ±5 A
()	6.5 mm ±5%
()	
	300/500 V AC
	3000 V AC
	DIN VDE 0298-4
	-30...+70 °C
	-5...+70 °C
	5x
	10x
	24 V AC ±20% / DC ±25%
	max. 4 A
	max. 55 V
	max. 20 ms
LED	()
	12 mA
	,
	M3 (0.4 Nm)
	IP67 EN 60529

0.8 kV

-25 +85 ,

EAN	4048879136549
eClass	27279218
HS	85444290
Packaging unit	1
	CZ