

**M12 male 90° / M12 female 90°**

PUR 3x0.34 bk UL/CSA 1,5m

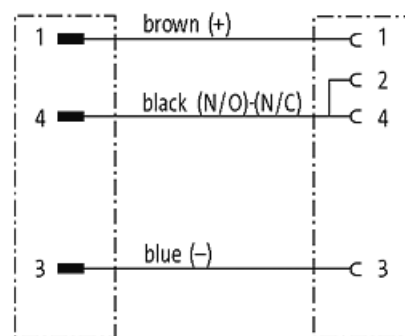
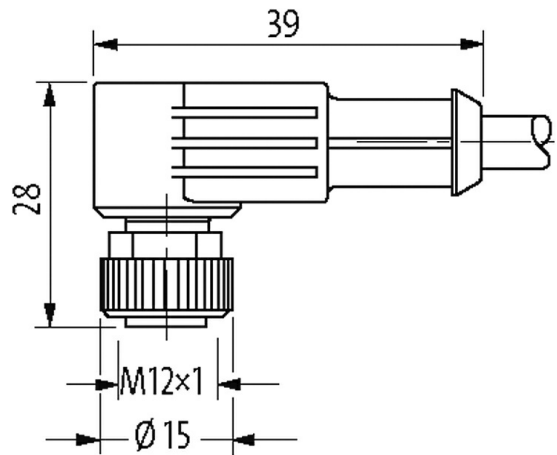
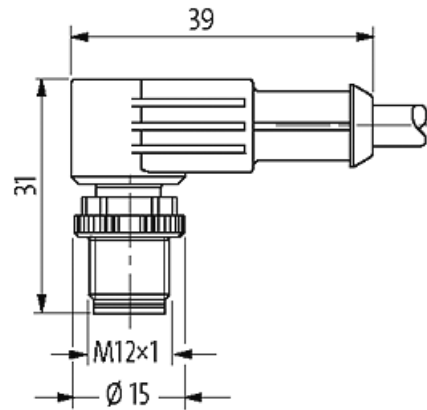
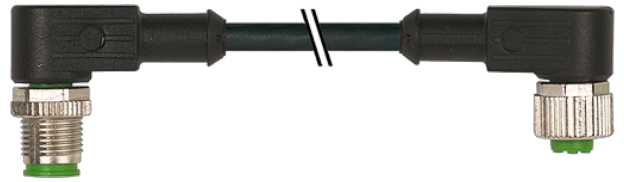
90° – 90°  
M12 – M12, 3

7005 - M12 Lite -

[Link to Product](#)

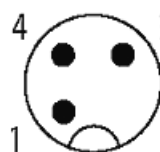
Illustration

stay connected

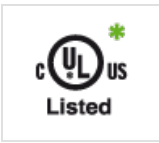


Male

Female



Product may differ from Image



\* UL/CSA

**Form**

Form	40301
/	3× 0.34 mm <sup>2</sup>
	PVC ( , , )
C-track properties	2 Mio.
	PUR/PVC (UL/CSA)
	4.9 mm ±5%
	15×
	-30...+80 °C
	-5...+80 °C
	623
	2 (PUR/PVC)
( )	UL (AWM-Style 20549/1731), CSA; CE conform
[g/m]	35,97
( )	max. 57 Ω/km (20 °C)
( )	0.1 mm
( )	42× 0.1 mm ( 6)
	3× 0.34 mm <sup>2</sup>
AWG	AWG 22
	PVC
	CFC
	43 ±5 D
	1.25 mm ±5%
/	RAL 9005
	3
	no
	PUR/PVC
)	CFC
Shore hardness (jacket)	80±5 A (PVC ) 85±5 A (PUR )
( )	4.9 mm ±5%
( )	
	UL 300 V AC
	2000 V AC
	DIN VDE 0298-4
	-30...+80 °C
	-5...+80 °C
	10×
	15×
( )	max. 2 Mio. (25 °C)
( )	max. 5 m (horizontal)
( )	max. 3.3 m/s
( )	max. 5 m/s <sup>2</sup>

	max. 250 V AC/DC
UL listed	max. 30 V AC/DC
	max. 4 A
	IEC 60664-1, category I
	A
	(M12×1 mm) 0.6 Nm
	M12 (SW13)
	IP66K, IP67 EN 60529
	,
	PUR
( )	10 mm
	DIN EN 61076-2-101 (M12)
	3
	-25 +85 ,
eClass	27061801
HS	85444290
Packaging unit	1
	DE