

M12 male 90° / M12 female 90°

PUR 3x0.34 bk UL/CSA 1m

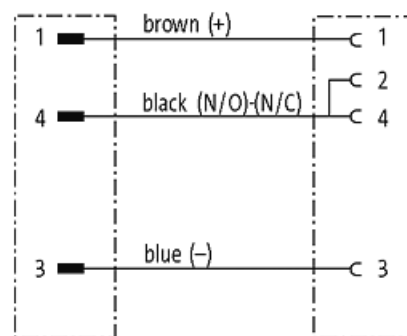
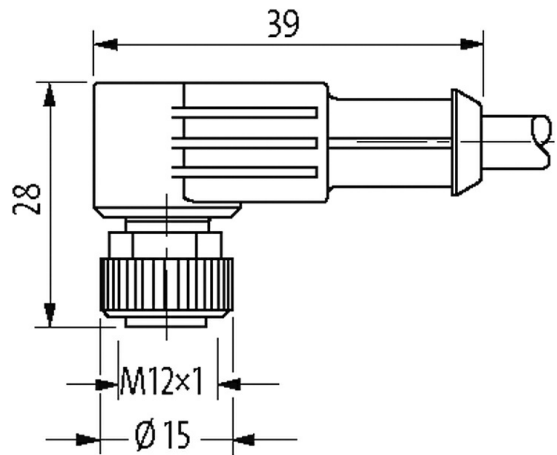
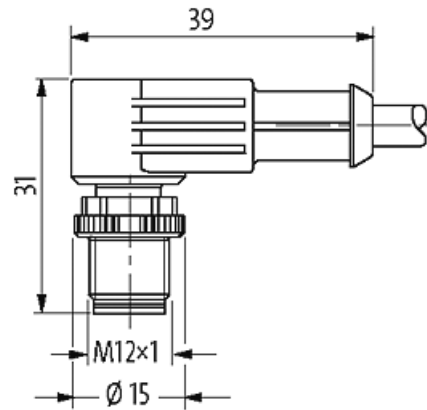
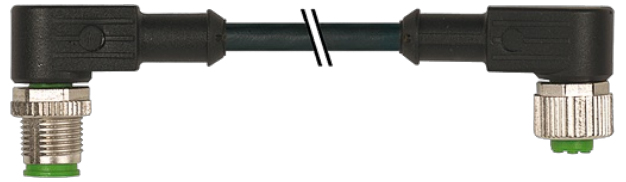
90° – 90°
M12 – M12, 3

7005 - M12 Lite -

[Link to Product](#)

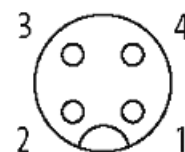
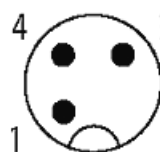
Illustration

stay connected

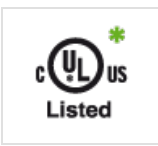


Male

Female



Product may differ from Image



* UL/CSA

Form	
Form	40301
/	3× 0.34 mm ²
	PVC (, ,)
C-track properties	2 Mio.
	PUR/PVC (UL/CSA)
	4.9 mm ±5%
	15×
	-30...+80 °C
	-5...+80 °C
	623
	2 (PUR/PVC)
()	UL (AWM-Style 20549/1731), CSA; CE conform
[g/m]	35,97
()	max. 57 Ω/km (20 °C)
()	0.1 mm
()	42× 0.1 mm (6)
	3× 0.34 mm ²
AWG	AWG 22
	PVC
	CFC
	43 ±5 D
	1.25 mm ±5%
/	RAL 9005
	3
	no
	PUR/PVC
)	CFC
Shore hardness (jacket)	80±5 A (PVC) 85±5 A (PUR)
()	4.9 mm ±5%
()	
	UL 300 V AC
	2000 V AC
	DIN VDE 0298-4
	-30...+80 °C
	-5...+80 °C
	10×
	15×
()	max. 2 Mio. (25 °C)
()	max. 5 m (horizontal)
()	max. 3.3 m/s
()	max. 5 m/s ²

	max. 250 V AC/DC
UL listed	max. 30 V AC/DC
	max. 4 A
	IEC 60664-1, category I
	A
	(M12×1 mm) 0.6 Nm
	M12 (SW13)
	IP66K, IP67 EN 60529
	,
	PUR
()	10 mm
	DIN EN 61076-2-101 (M12)
	3
	-25 +85 ,
EAN	4048879171847
eClass	27279218
HS	85444290
Packaging unit	1
	DE