

**M12 MALE 90° / M12 FEMALE 90°**

PUR 3X0.34 GRAY, UL/CSA, ROBOT, drag ch 0.6m

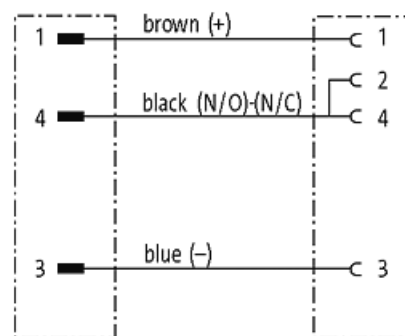
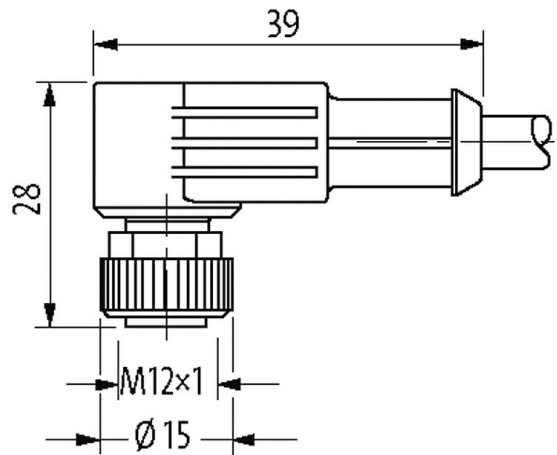
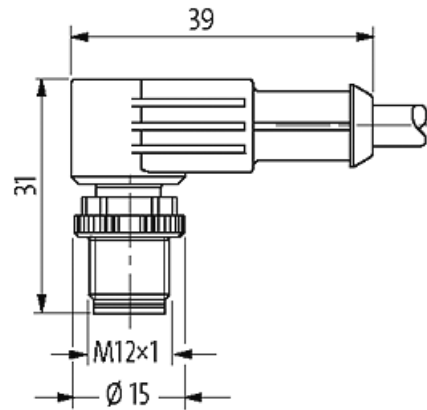
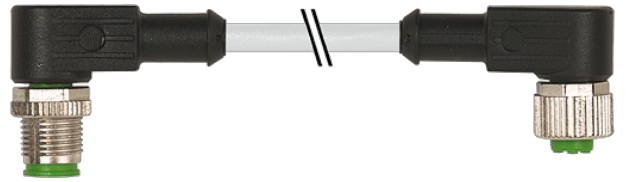
90° – 90°  
M12 – M12, 3

7005 - M12 Lite -

[Link to Product](#)

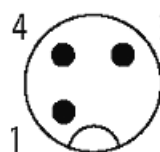
Illustration

stay connected

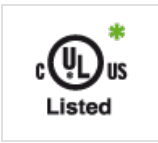


Male

Female



Product may differ from Image



\* UL/CSA

| Form                    |   |
|-------------------------|---|
| Form                    | 40301                                     |
| /                       | 3 × 0.34 mm <sup>2</sup>                  |
|                         | PP ( , , )                                |
| C-track properties      | 10 Mio.                                   |
|                         | PUR (UL/CSA), welding spark               |
|                         | 4.3 mm ±5%                                |
|                         | 10×                                       |
|                         | -40...+80 °C                              |
|                         | -25...+80 °C                              |
|                         | 253                                       |
|                         | 5 (PUR schweißfunkenbeständig)            |
| ( )                     | cRUus (AWM-Style 20549/10493); CE conform |
| [g/m]                   | 29,70                                     |
| ( )                     | max. 60 Ω/km (20 °C)                      |
| ( )                     | 0.1 mm                                    |
| ( )                     | 42 × 0.1 mm ( 6)                          |
|                         | 3 × 0.34 mm <sup>2</sup>                  |
| AWG                     | AWG 22                                    |
|                         | PP  |
|                         | CFC                                       |
|                         | 74 ±3 D                                   |
|                         | 1.25 mm ±5%                               |
| /                       |   |
|                         | 3   |
|                         | no  |
|                         | PUR                                       |
| )                       | CFC                                       |
| Shore hardness (jacket) | 58 ±3 D                                   |
| ( )                     | 4.3 mm ±5%                                |
| ( )                     |   |
|                         | (EN 60811-404)                            |
|                         | 300 V AC                                  |
|                         | 2500 V AC                                 |
|                         | DIN VDE 0298-4                            |
|                         | -40 +80 (+90 10 000 )                     |
|                         | -25 +80 (+90 10 000 )                     |
|                         | 5×  |
|                         | 10×                                       |
| ( )                     | max. 10 Mio. (25 °C)                      |
| ( )                     | max. 5 m (horizontal)                     |
| ( )                     | max. 3.3 m/s                              |

|                |                          |
|----------------|--------------------------|
| ( )            | max. 5 m/s <sup>2</sup>  |
|                | ±360°/m                  |
|                | max. 1 Mio. (25 °C)      |
|                | 35                       |
|                |                          |
|                | max. 250 V AC/DC         |
| UL listed      | max. 30 V AC/DC          |
|                | max. 4 A                 |
|                | IEC 60664-1, category I  |
|                | A                        |
|                | (M12×1 mm) 0.6 Nm        |
|                | M12 (SW13)               |
|                | IP66K, IP67 EN 60529     |
|                | ,                        |
|                | PUR                      |
| ( )            | 10 mm                    |
|                |                          |
|                | DIN EN 61076-2-101 (M12) |
|                | 3                        |
|                | -25 +85 ,                |
|                |                          |
| HS             | 85444290                 |
| Packaging unit | 1                        |
|                | DE                       |