

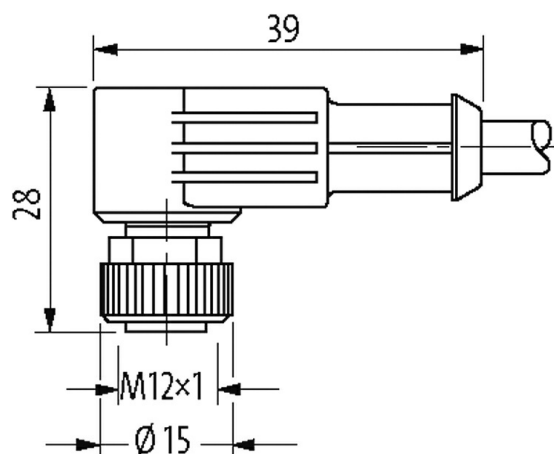
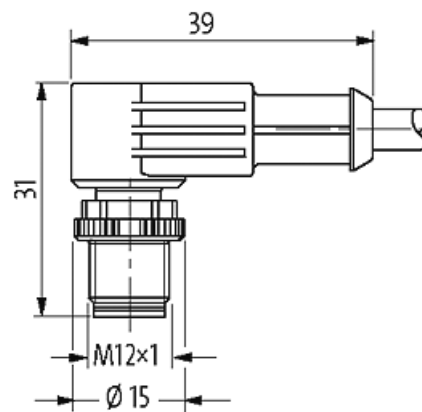
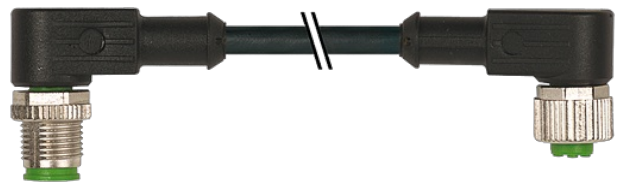
M12 MALE 90° / M12 FEMALE 90°

PUR 5X0.34 black UL/CSA 0.6m

90° – 90°

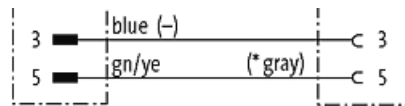
M12 – M12,5

7005 - M12 Lite -

[Link to Product](#)**Illustration**

1	brown (+)	C 1
2	white (N/C)	C 2
4	black (N/O)	C 4

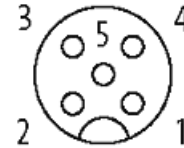
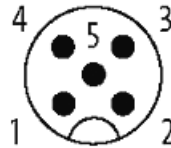
stay connected



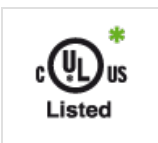
(* for cable type 126, 732, 219, 619)

Male

Female



Product may differ from Image



* UL/CSA

Form

Form	40285
/	5x 0.34 mm ²
	PP (, , ,)
C-track properties	10 Mio.
	PUR (UL/CSA)
	4.8 mm ±5%
	10x
	-40...+80 °C
	-25...+80 °C
	732
	3 (PUR)
()	cRUus (AWM-Style 20549/10493); CE conform
[g/m]	41,80
()	max. 57 Ω/km (20 °C)
()	0.1 mm
()	42x 0.1 mm (6)
	5x 0.34 mm ²
AWG	AWG 22
	PP
	CFC
	70 ±5 D
	1.25 mm ±5%
/	5
	no
	PUR
)	CFC
Shore hardness (jacket)	90 ±5 A

()	4.8 mm ±5%
()	
	(EN 60811-404)
	300 V AC
	2500 V AC
	DIN VDE 0298-4
	-40 +80 (+90 10 000)
	-25 +80 (+90 10 000)
	5×
	10×
()	max. 10 Mio. (25 °C)
()	max. 3 m/s
()	max. 10 m/s ²
	±180°/m
	max. 2 Mio. (25 °C)
	35
	max. 125 V AC/DC
UL listed	max. 30 V AC/DC
	1.5 kV
	max. 4 A
	IEC 60664-1, category I
	5
	A
LED	no
	(M12×1 mm) 0.6 Nm
	M12 (SW13)
	IP65, IP66K, IP67 EN 60529
	,
	PUR
()	10 mm
	DIN EN 61076-2-101 (M12)
	3
	-25 +85 ,
HS	85444290
Packaging unit	1
	DE