

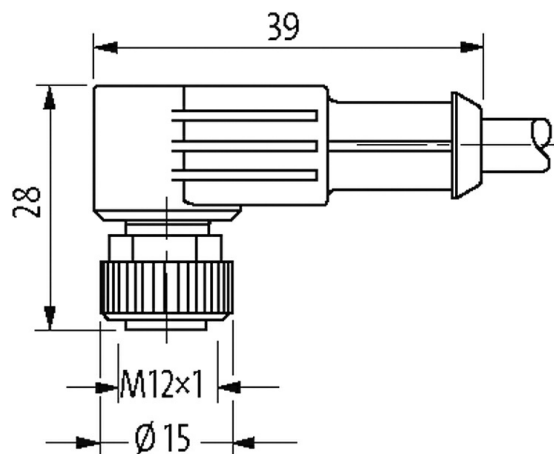
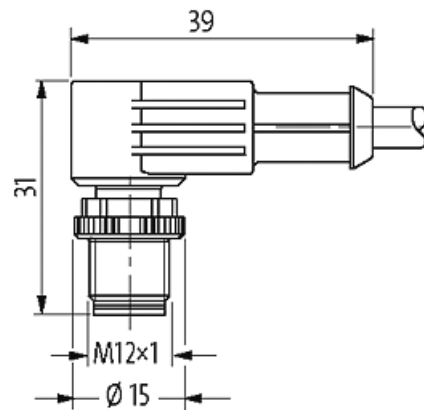
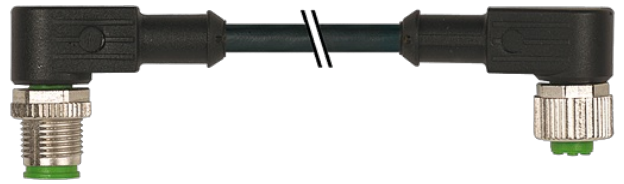
**M12 MALE 90° / M12 FEMALE 90°**

PVC 5X0.34 black 0.3m

90° – 90°

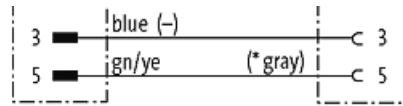
M12 – M12,5

7005 - M12 Lite -

[Link to Product](#)**Illustration**

|   |             |     |
|---|-------------|-----|
| 1 | brown (+)   | c 1 |
| 2 | white (N/C) | c 2 |
| 4 | black (N/O) | c 4 |

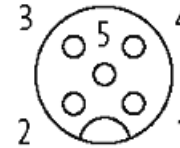
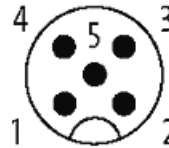
stay connected



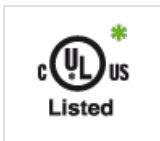
(\* for cable type 126, 732, 219, 619)

Male

Female



Product may differ from Image



\* UL/CSA

**Form**

|       |                          |
|-------|--------------------------|
| Form  | 40285                    |
|       | 729                      |
| /     | 5 x 0.34 mm <sup>2</sup> |
|       | PVC ( , , , , )          |
|       | PVC                      |
|       | 5.9 mm ±5%               |
|       | 10x                      |
|       | -30...+80 °C             |
|       | -5...+70 °C              |
|       | 729                      |
| ( )   | CE conform               |
| [g/m] | 59,51                    |
| ( )   | max. 57 Ω/km (20 °C)     |
| ( )   | 0.15 mm                  |
| ( )   | 19 x 0.15 mm ( 5)        |
|       | 5 x 0.34 mm <sup>2</sup> |
| AWG   | AWG 22                   |
|       | PVC                      |
| /     |                          |
|       | 5                        |
|       | no                       |
|       | PVC                      |
| ( )   | 5.9 mm ±5%               |
| ( )   |                          |
|       | 300/500 V AC             |
|       | 2000 V AC                |

|                |                            |
|----------------|----------------------------|
|                | -30...+70 °C               |
|                | -5...+70 °C                |
|                | 10×                        |
|                | max. 125 V AC/DC           |
| UL listed      | max. 30 V AC/DC            |
|                | 1.5 kV                     |
|                | max. 4 A                   |
|                | IEC 60664-1, category I    |
|                | 5                          |
|                | A                          |
| LED            | no                         |
|                | (M12×1 mm) 0.6 Nm          |
|                | M12 (SW13)                 |
|                | IP65, IP66K, IP67 EN 60529 |
|                | ,                          |
|                | PUR                        |
| ( )            | 10 mm                      |
|                | DIN EN 61076-2-101 (M12)   |
|                | 3                          |
|                | -25 +85 ,                  |
| eClass         | 27061801                   |
| HS             | 85444290                   |
| Packaging unit | 1                          |
|                | DE                         |