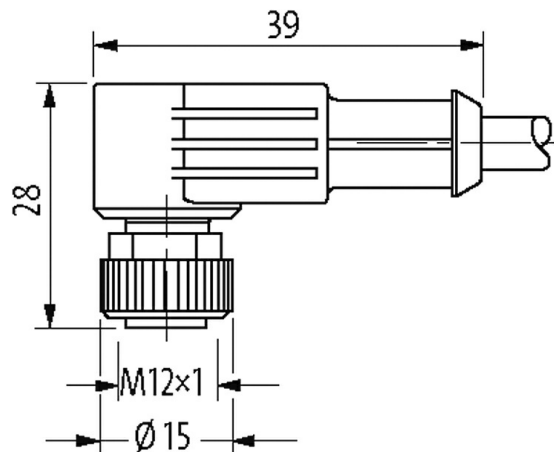
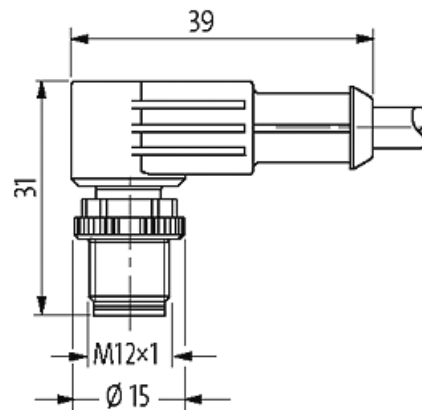
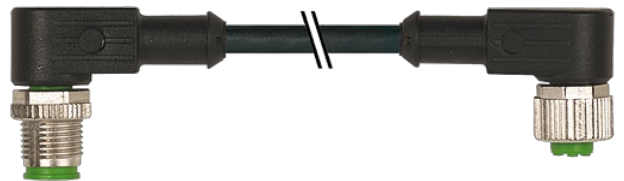


M12 MALE 90° / M12 FEMALE 90°

PUR 5X0.34 black UL/CSA 1.5m

90° – 90°
 M12 – M12, 5
 7005 - M12 Lite -

[Link to Product](#)**Illustration**

1	brown (+)	C 1
2	white (N/C)	C 2
4	black (N/O)	C 4
2	blue (-)	C 3

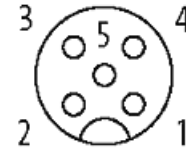
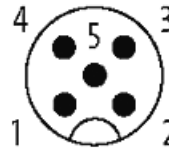
stay connected



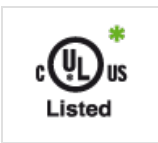
(* for cable type 126, 732, 219, 619)

Male

Female



Product may differ from Image



* UL/CSA

Form

Form	40281
/	5 × 0.34 mm ²
	PP (, , ,)
C-track properties	10 Mio.
	PUR (UL/CSA)
	4.8 mm ±5%
	10×
	-40...+80 °C
	-25...+80 °C
	732
	3 (PUR)
()	cRUus (AWM-Style 20549/10493); CE conform
[g/m]	41,80
()	max. 57 Ω/km (20 °C)
()	0.1 mm
()	42 × 0.1 mm (6)
	5 × 0.34 mm ²
AWG	AWG 22
	PP
	CFC
	70 ±5 D
	1.25 mm ±5%
/	5
	no
	PUR
)	CFC
Shore hardness (jacket)	90 ±5 A
()	4.8 mm ±5%

The information in this brochure has been compiled with the utmost care. Liability for the correctness completeness and topicality of the information is restricted to gross negligence. Version: 01/20

()	(EN 60811-404)
	300 V AC
	2500 V AC
	DIN VDE 0298-4
	-40 +80 (+90 10 000)
	-25 +80 (+90 10 000)
	5x
	10x
()	max. 10 Mio. (25 °C)
()	max. 3 m/s
()	max. 10 m/s ²
	±180°/m
	max. 2 Mio. (25 °C)
	35
	max. 125 V AC/DC
UL listed	max. 30 V AC/DC
	max. 4 A
	IEC 60664-1, category I
	A
	(M12×1 mm) 0.6 Nm
	M12 (SW13)
	IP66K, IP67 EN 60529
	,
	PUR
()	10 mm
	3
	-25 +85 ,
EAN	4048879171960
eClass	27279218
HS	85444290
Packaging unit	1
	CZ