

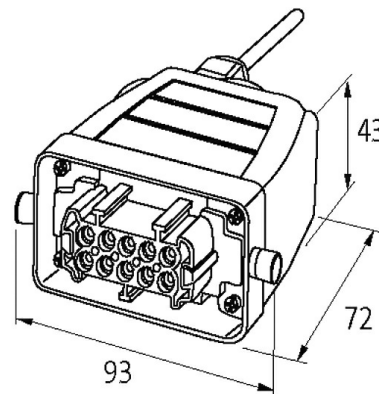
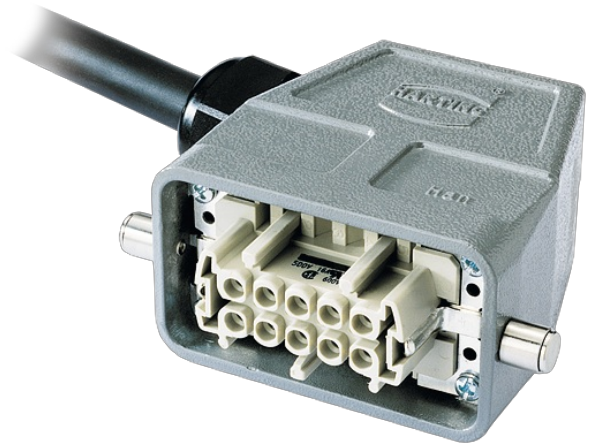
PLUGABLE MOTOR SUPPRESSOR

Varistor, 3x575VAC/5,5kW

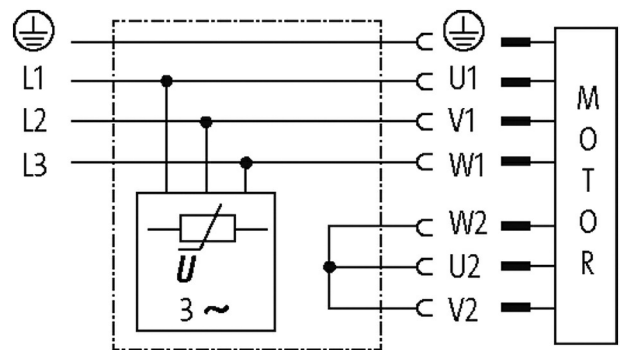
3× 575 V AC
VDR/スター
10.0 m

[Link to Product](#)

Illustration



(without compression gland)



Varistor-suppression (star)

Product may differ from Image

Technical Data

Operating frequency	10...400 Hz
Plug connector	メス, 10極 + PE
Cable length	10.0 m
Housing	アルミニウムダイキャスト (粉体塗装)

General data

Connection	PURケーブル 黒, 4× 1.5 mm ² , ナンバリング電線, DESINA適合
Temperature range	-20...+60 °C
Dimensions H×W×D	43×93×72 mm

The information in this brochure has been compiled with the utmost care.
Liability for the correctness completeness and topicality of the information is restricted to gross negligence. Version: 05/21

取引条件

EAN	4048879015127
eClass	27371013
HSコード	85363010
Packaging unit	1
生産現国	CZ