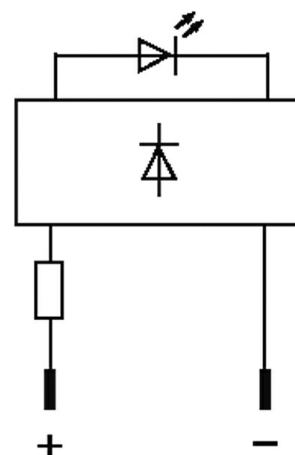
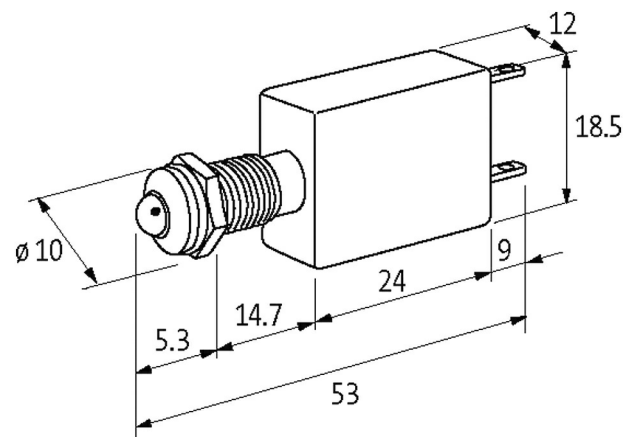


LED-INDICATOR GREEN

LED 5mm - 24V AC/DC - 15mA - IP67

(緑)
24 V AC/DC
保護等級：IP67

[Link to Product](#)**Illustration**

Product may differ from Image

Technical Data

The information in this brochure has been compiled with the utmost care.
Liability for the correctness completeness and topicality of the information is restricted to gross negligence. Version: 05/21

Operating voltage	24 V AC/DC $\pm 15\%$
Current consumption	15 ± 2 mA
Protection (IEC 60529/EN 60529)	IP67

General data

LED \varnothing	5 mm
Front panel hole diameter \varnothing	8 mm
Dimensions HxWxD	18.5x12x53 mm
Connection	Faston 2.8x0.8 mm
Housing	アダプタ - PVC, 灰
Temperature range	-40...+70 °C

取引条件

EAN	4048879040716
eClass	27261590
HSコード	85318070
Packaging unit	10
生産現国	DE