

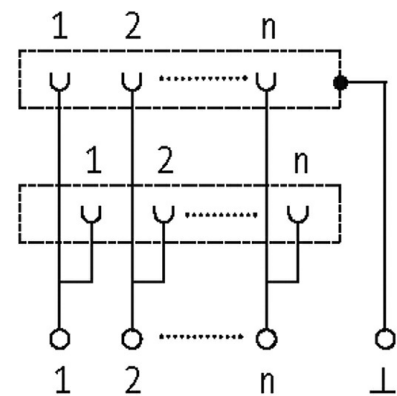
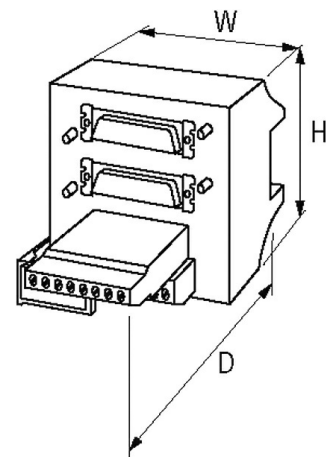
SV-2 X SUB D 15 -KL. FOR SIGNAL TRANSFER

125 VAC/DC / 2 A

メスコネクタ
15極
ネジ端子

[Link to Product](#)

Illustration



Picture: female

Product may differ from Image

Technical Data

Operating voltage	125 V AC/150 V DC
Operating current per bit	max. 2 A
Material group	EN 60664-1 過電圧, カテゴリ I
Locking of ports	標準UNC 4-40ネジ (ボルト) (EN 60807)

General data

Mounting method	DINレール取り付け可能 (EN 60715)
Temperature range	-20...+70 °C

The information in this brochure has been compiled with the utmost care.
Liability for the correctness completeness and topicality of the information is restricted to gross negligence. Version: 05/21

Dimensions H×W×D 75×70×66 mm

取引条件	
EAN	4048879026154
eClass	27143424
HSコード	85366990
Packaging unit	1
生産現国	CZ