

**PASSIVE-DI0° PLASTIC,4XM12,5POL,PRE-WIRED CABLE**

10.0m PUR-JB 8\*0,34+3\*0,75

4ポート, 5極

PUR/PVC

10.0 m

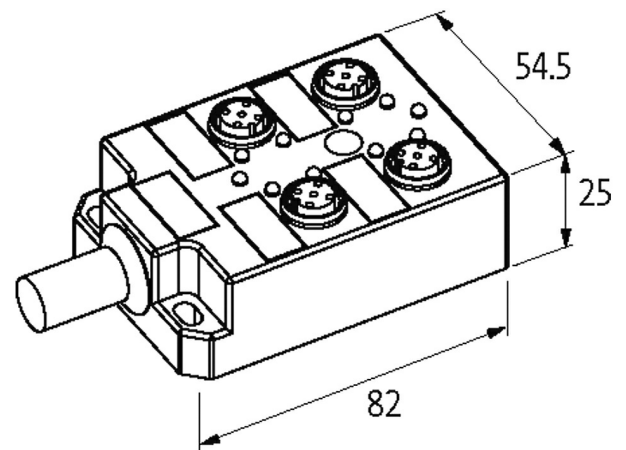
デジタルPNPシグナル 24 V DC用LED付き

ケーブル長はご要望に応じます。

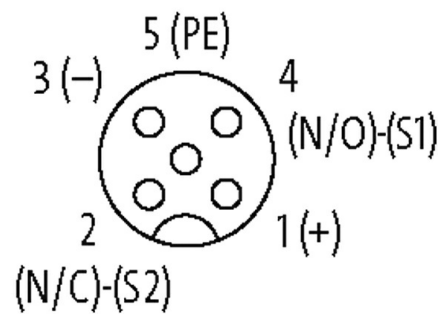
耐油・耐薬品に優れたプラスチックハウジング

[Link to Product](#)

Illustration



M12 Females 5-pole



Product may differ from Image

#### 認証

Approvals

#### More Info

Bus technologies

#### Technical Data

|                               |                         |
|-------------------------------|-------------------------|
| Operating voltage             | 24 V DC                 |
| Operating current per contact | max. 4 A                |
| Locking of ports              | Screw thread (M12×1 mm) |

The information in this brochure has been compiled with the utmost care.  
Liability for the correctness completeness and topicality of the information is restricted to gross negligence. Version: 05/21

|                 |           |
|-----------------|-----------|
| Signal per port | 2         |
| Total current   | max. 10 A |

**General data**

|                   |  |
|-------------------|--|
| Temperature range | -20...+80 °C                           |
| Protection        | IP67 inserted and tightened (EN 60529) |
| Dimensions H×W×D  | 82×54.5×25 mm                          |

**Cables**

|                                    |  |
|------------------------------------|--|
| No./diameter of wires              | 8× 0.34 + 3× 0.75 mm <sup>2</sup>  |
| Wire isolation                     | PVC  |
| C-track properties                 | 2 Mio.   |
| Outer Ø                            | 8.1 mm ±5%   |
| Cable identification               | 363  |
| Cable Type                         | 2 (PUR/PVC)  |
| Cable number                       | 363  |
| Approval (cable)                   | UL (AWM-Style 21441/10955), CE conform   |
| Cable weight [g/m]                 | 115,5 g  |
| Material (wire)                    | Cu wire, bare  |
| Resistor (core)                    | max. 57 Ω/km (0.34 mm <sup>2</sup> ), max. 26 Ω/km (0.75 mm <sup>2</sup> ); (20 °C)                  |
| Single wire Ø (core)               | 0.15 mm (0.34 mm <sup>2</sup> ); 0.2 mm (0.75 mm <sup>2</sup> )                                      |
| Construction (core)                | 19× 0.15 mm (0.34 mm <sup>2</sup> ); 24× 0.2 mm (0.75 mm <sup>2</sup> ); (multi-strand wire class 5) |
| Diameter (core)                    | 8× 0.34 + 3× 0.75 mm <sup>2</sup>  |
| AWG                                | similar to AWG 22 (0.34 mm <sup>2</sup> ); similar to AWG 18 (0.75 mm <sup>2</sup> )                 |
| Material (wire isolation)          | PVC  |
| Material property (wire isolation) | CFC-, cadmium-, silicone- and lead-free  |
| Shore hardness (wire isolation)    | 43 ±5 D  |
| Wire-Ø incl. isolation             | 1.3 mm ±5% (0.34 mm <sup>2</sup> ); 1.8 mm ±5% (0.75 mm <sup>2</sup> )                               |
| Color/numbering of wires           | wh, ye, gr, grpk, rdbl, gn, whgn, brgn+bl, br, gnye longitudinally striped                           |
| Shield                             | no   |
| Material (jacket)                  | PUR/PVC  |
| Shore hardness (jacket)            | 87 ±5 A  |
| Outer-Ø (jacket)                   | 8.1 mm ±5%   |
| Color (jacket)                     | gray   |
| Jacket Color                       | gray   |
| Cable labeling                     | see frame delivery specifications 7000-00000-001   |
| chemical resistance                | good resistance to oil, gasoline and chemicals (EN 60811-404)  |
| Nominal voltage                    | U0/U 300/300 V AC  |
| Test voltage                       | 2000 V AC  |
| Current load capacity              | to DIN VDE 0298-4  |
| Temperature range (fixed)          | -30...+80 °C   |
| Temperature range (fixed)          | -30...+80 °C   |
| Temperature range (mobile)         | -5...+70 °C  |
| Temperature range (mobile)         | -5...+70 °C  |
| Bend radius (fixed)                | 5× outer Ø   |
| Bend radius (moving)               | 10× outer Ø  |
| Bend radius (moving)               | 10× outer Ø  |
| No. of bending cycles (C-track)    | max. 2 Mio. (25 °C)  |
| Travel speed (C-track)             | max. 2 m/s   |
| Acceleration (C-track)             | max. 10 m/s <sup>2</sup>   |
| Material (jacket)                  | PUR/PVC (UL/CSA)   |

**Contact Layout**

|       |           |
|-------|-----------|
| PIN 1 | (+)       |
| PIN 2 | (NC)/(S2) |
| PIN 3 | (-)       |

|                |  |
|----------------|--|
| PIN 4          | (NO)/(S1)                                  |
| PIN 5          | (Earth)                                    |
|                | LED (green): Power / LED (yellow): (S1/S2) |
| <b>取引条件</b>    |  |
| EAN            | 4048879062992                              |
| eClass         | 27279219                                   |
| HSコード          | 85444290                                   |
| Packaging unit | 1.000                                      |
| 生産現国           | CZ   |