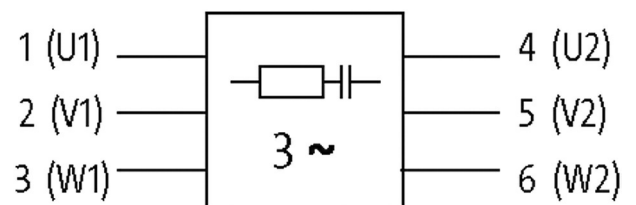
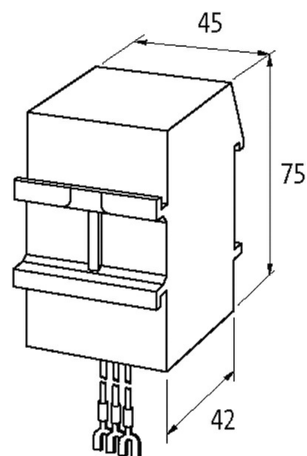


MOTOR SUPPRESSOR

RC, 3x400VAC/20kW

3x 400 V AC

RC

[Link to Product](#)**Illustration**

RC-(1) per phase

Product may differ from Image



	50..60 Hz
	acc. to UL 94
	2-
	250 mm, 0.5 mm ² , M4
H×W×D	75×45×42 mm
	-20...+60 °C
EAN	4048879019583
eClass	27371013
HS	85363010
Packaging unit	1
	CZ