

MOTOR SUPPRESSOR

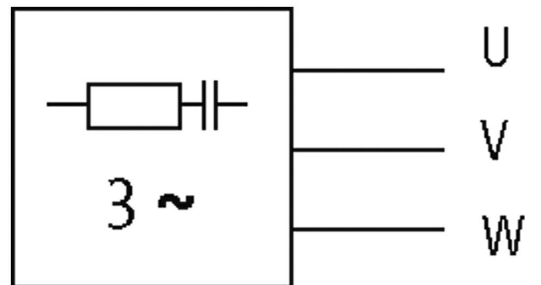
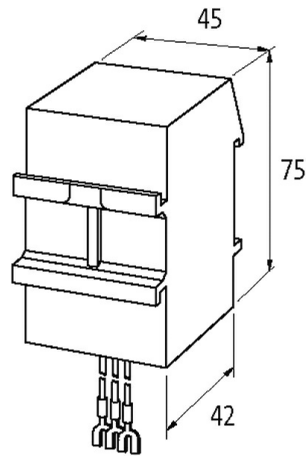
RC, 3x400VAC/4kW

3× 400 V AC

RC

[Link to Product](#)

Illustration



RC

Product may differ from Image



50...60 Hz

acc. to UL 94

2-

	250 mm, 0.5 mm ² , M4
H×W×D	75×45×42 mm
	-20...+60 °C
EAN	4048879019637
eClass	27371013
HS	85363010
Packaging unit	1
	CZ