

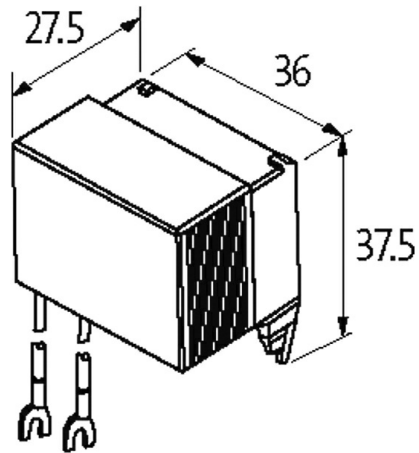
SIEMENS CONTACTOR SUPPRESSOR

RC, 230VAC/DC

230 V AC/DC
RC

[Link to Product](#)

Illustration



RC

Product may differ from Image

3 RT 1.5/6/7

1.5x UN

acc. to UL 94

45 mm

-20...+70 °C

HxWxD

37.5x36x27.5 mm

The information in this brochure has been compiled with the utmost care.

Liability for the correctness completeness and topicality of the information is restricted to gross negligence. Version: 01/20

Murrelektronik GmbH | Falkenstraße 3 | 71570 Oppenweiler | Fon +49 (71 91) 47-0 | Fax +49 (71 91) 47-491000 | shop@murrelektronik.com | shop.murrelektronik.com

| | |
|-----|---------------|
| EAN | 4048879019880 |
|-----|---------------|

| | |
|--------|----------|
| eClass | 27371013 |
|--------|----------|

| | |
|----|----------|
| HS | 85363010 |
|----|----------|

| | |
|----------------|---|
| Packaging unit | 1 |
|----------------|---|

CZ