

ABB CONTACTOR SUPPRESSOR

RC, 110VAC/DC

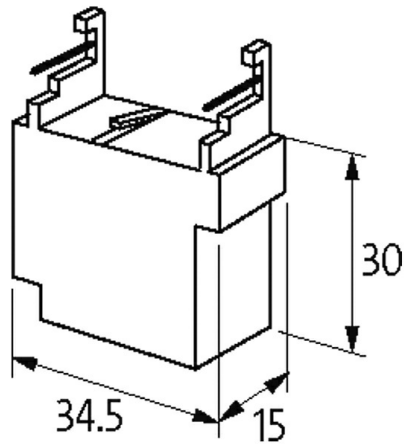
110 V AC/DC

230 V AC/DC

RC

[Link to Product](#)

Illustration



RC

Product may differ from Image



A 9...A 16

1.5x UN

acc. to UL 94

HxWxD 40x34.5x15 mm

-20...+70 °C

EAN 4048879020015

eClass 27371013

HS 85363010

Packaging unit 1

CZ