

SUPPRESSOR FOR CONTACTORS

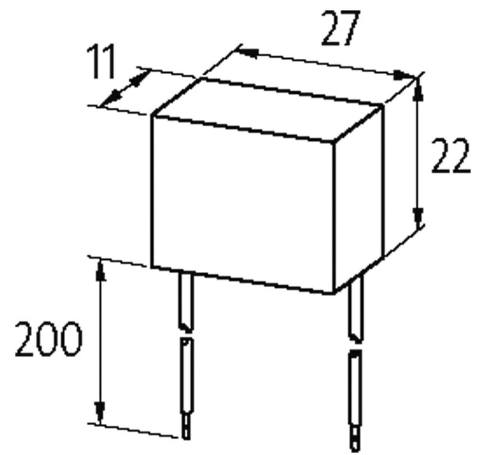
RC, 400 VAC/DC 50 VAW

400 V AC/DC

RC

[Link to Product](#)

Illustration



RC

Product may differ from Image



	1.5x UN
	acc. to UL 94
(W)	max. 50 W (VA)
HxWxD	22x27x11 mm
	-20...+70 °C
EAN	4048879020305
eClass	27371013
HS	85363010
Packaging unit	1
	CZ