

UNIVERSAL CONTACTOR SUPPRESSOR

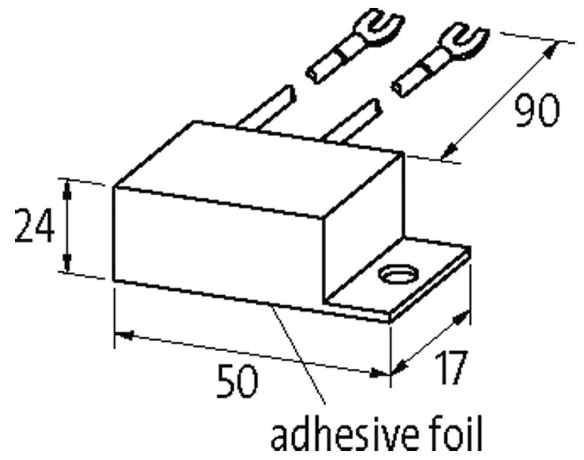
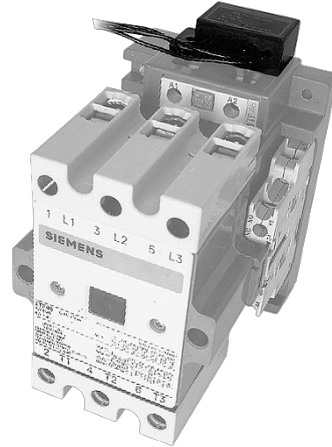
RC, 230VAC/DC

230 V AC/DC

RC

[Link to Product](#)

Illustration



RC

Product may differ from Image



1.5x UN

acc. to UL 94

HxWxD	24x50x17 mm
	-20...+70 °C
EAN	4048879020480
eClass	27371013
HS	85363010
Packaging unit	1
	CZ