

SUPPRESSOR FOR CONTACTORS

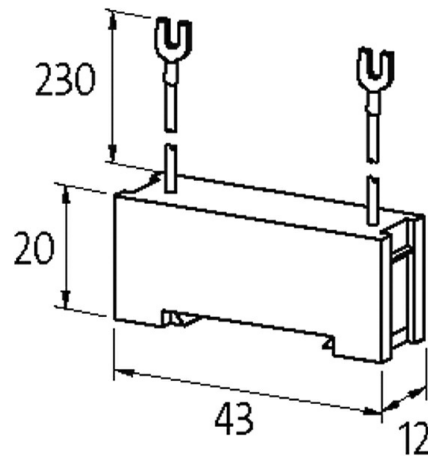
RC, 400 VAC/DC, 25 VA

400 V AC/DC
RC

[Link to Product](#)

Illustration

stay connected



RC

Product may differ from Image



(W)

25 W (VA)

The information in this brochure has been compiled with the utmost care.
Liability for the correctness completeness and topicality of the information is restricted to gross negligence. Version: 01/20

Murrelektronik GmbH | Falkenstraße 3 | 71570 Oppenweiler | Fon +49 (71 91) 47-0 | Fax +49 (71 91) 47-491000 | shop@murrelektronik.com | shop.murrelektronik.com

H×W×D	20×43×12 mm
	-20...+70 °C
EAN	4048879020619
eClass	27371013
HS	85363010
Packaging unit	1
	CZ