

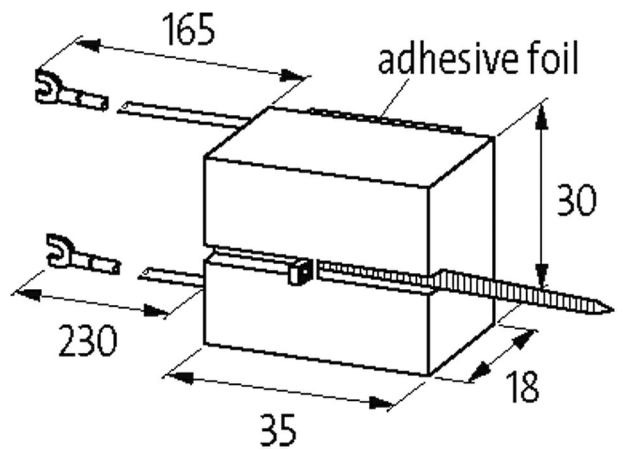
SUPPRESSOR FOR CONTACTORS

RC, 400 VAC/DC, 100 VA

400 V AC/DC
RC

[Link to Product](#)

Illustration



RC

Product may differ from Image



	1.5× UN
	acc. to UL 94
(W)	100 W (VA)
H×W×D	35×30×18 mm
	-20...+70 °C
EAN	4048879020664
eClass	27371013
HS	85363010
Packaging unit	1
	CZ