

SUPPRESSOR FOR CONTACTORS

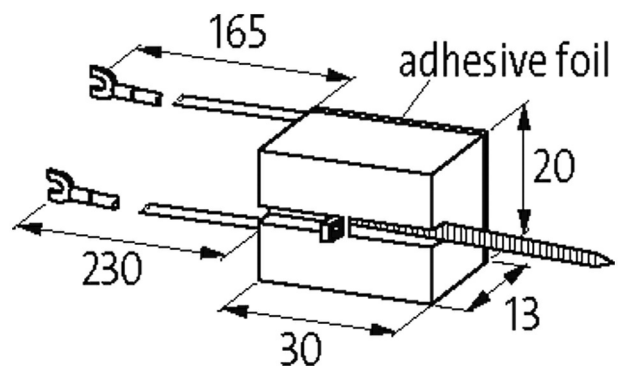
RC, 230 VAC/DC, 15 VA/W

230 V AC/DC

RC

[Link to Product](#)

Illustration



RC

Product may differ from Image



1.5x UN	
acc. to UL 94	
(W)	15 W (VA)
HxWxD	30x20x13 mm
	-20...+70 °C
EAN	4048879020732
eClass	27371013
HS	85363010
Packaging unit	1
	CZ