

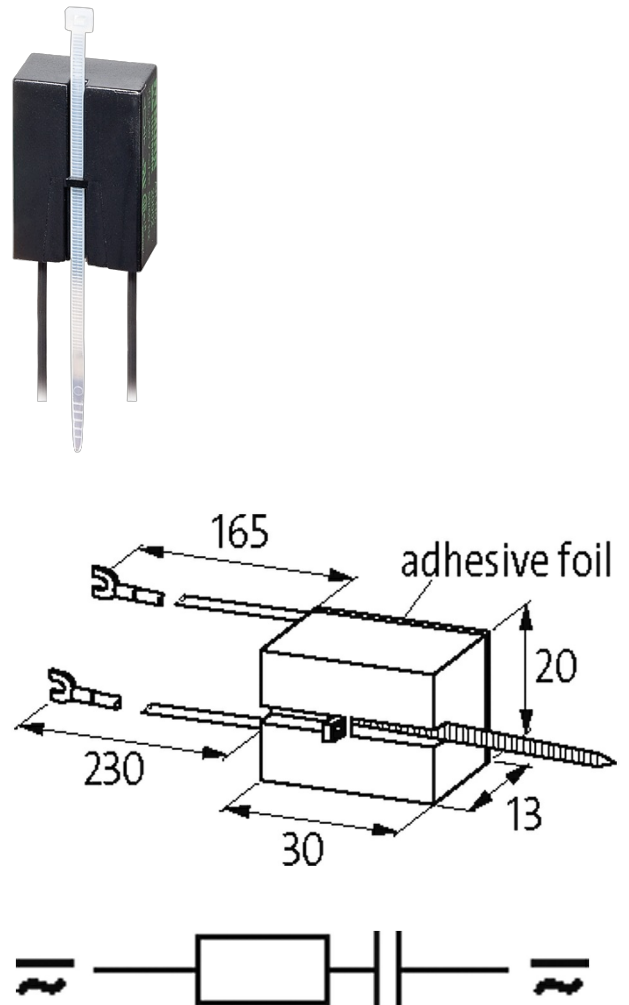
SUPPRESSOR FOR CONTACTORS

RC, 48 VAC/DC, 15 VA/W

48 V AC/DC

RC

他の組合せ、電圧についてはお問い合わせください。

[Link to Product](#)**Illustration**

RC

Product may differ from Image

認証

The information in this brochure has been compiled with the utmost care.
Liability for the correctness completeness and topicality of the information is restricted to gross negligence. Version: 05/21

Murrelektronik GmbH | Falkenstraße 3 | 71570 Oppenweiler | Fon +49 (71 91) 47-0 | Fax +49 (71 91) 47-491000 | shop@murrelektronik.com | shop.murrelektronik.com

**Technical Data**

Damping factor	約 1.5× UN
Material	難燃材 プラスチック acc. to (UL 94)
Connection wires	ケーブル端子
max. power (W)	max. 15 W (VA)

General data

Dimensions H×W×D	30×20×13 mm
Temperature range	-20...+70 °C

Appropriate contactors

ユニバーサル

取引条件

EAN	4048879020749
eClass	27371013
HSコード	85363010
Packaging unit	1
生産現国	CZ