

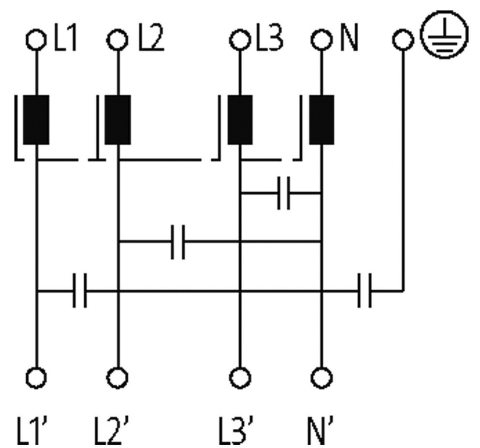
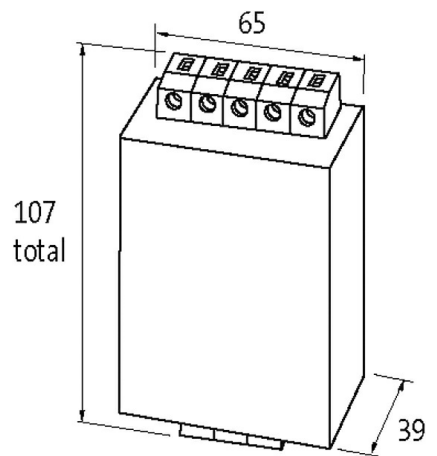
MEF EMC-FILTER 3-PHASE 1-STAGE WITH NEUTRAL

I:6A U:4x440 VAC snap on

6 A

[Link to Product](#)

Illustration



Product may differ from Image



max. 3x 440 V AC

50...60 Hz

18x IN t <= 0.5 ms; 1.5x IN t <= 1 min. (1x)

The information in this brochure has been compiled with the utmost care.

Liability for the correctness completeness and topicality of the information is restricted to gross negligence. Version: 01/20

Murrelektronik GmbH | Falkenstraße 3 | 71570 Oppenweiler | Fon +49 (71 91) 47-0 | Fax +49 (71 91) 47-491000 | shop@murrelektronik.com | shop.murrelektronik.com

	max. 3 mA (250 V AC)
	0.2 6 mm ² (AWG 24 9); 0.2 4 mm ² AWG 24 11
	25/085/21 (EN 60068-1)
	2.7 kV (L - N), 2 s; 2.1 kV (L - L), 2 s (EN 60939-2)
	DIN TH35 EN 60715
H×W×D	107×65×39 mm
	3 EMC MEF 3/1 0.1 30 MHz TN-S, TN-C-S, TT 10
EAN	4048879029285
eClass	27130806
HS	85363010
Packaging unit	1
	IT