

**MEF EMC-FILTER 1-PHASE 1-STAGE**

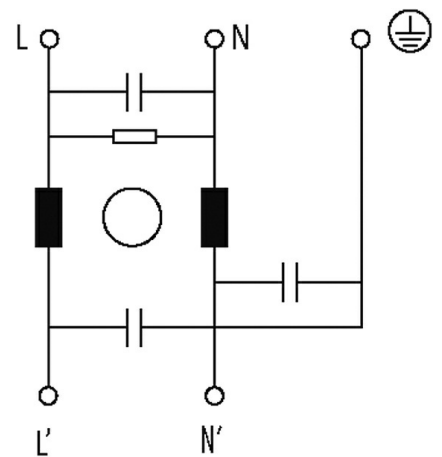
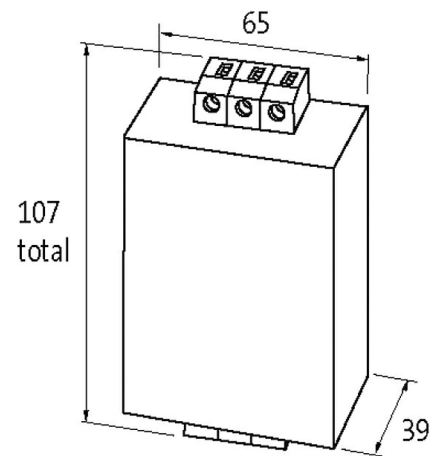
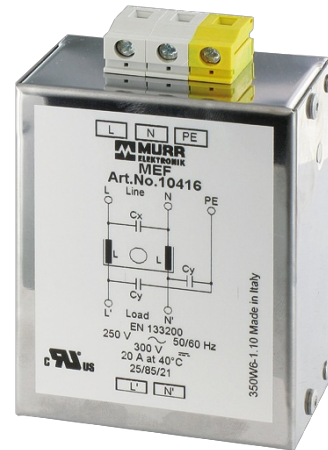
I:10A U:250 VAC/300 VDC snap on

10 A

[Link to Product](#)

Illustration

stay connected



Product may differ from Image



max. 250 V AC/300 V DC

50...60 Hz

max. 5 mA (250 V AC)

The information in this brochure has been compiled with the utmost care.

Liability for the correctness completeness and topicality of the information is restricted to gross negligence. Version: 01/20

Murrelektronik GmbH | Falkenstraße 3 | 71570 Oppenweiler | Fon +49 (71 91) 47-0 | Fax +49 (71 91) 47-491000 | shop@murrelektronik.com | shop.murrelektronik.com

---

18× IN t ≤ 0.5 ms; 1.5× IN t ≤ 1 min. (1× )

---

0.2 6 mm<sup>2</sup> (AWG 24 9); 0.2 4 mm<sup>2</sup> AWG 24 11

---

25/085/21 (EN 60068-1)

---

2.7 kV (L - N), 2 s; 2.1 kV (L - L), 2 s (EN 60939-2)

---

DIN TH35 EN 60715

---

H×W×D 107×65×39 mm

---

EAN 4048879029407

---

eClass 27130806

---

HS 85363010

---

Packaging unit 1

---

IT