

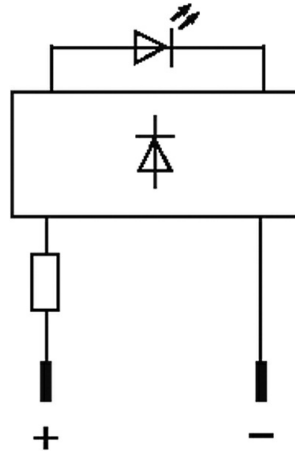
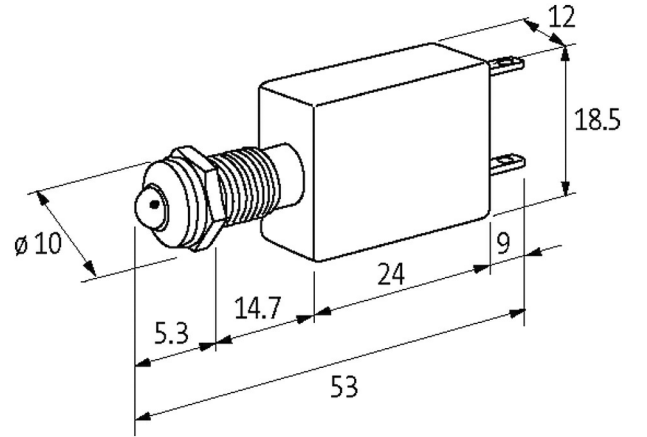
**LED-INDICATOR GREEN**

LED 5mm - 24V AC/DC - 15mA - IP67

(yeşil)  
24 V AC/DC  
Koruma sınıfı IP67

**Ürün Linki**

örnekleme



Ürün Image farklı olabilir

**Technical Data**

Operating voltage	24 V AC/DC $\pm$ 15%
Current consumption	15 $\pm$ 2 mA
Protection (IEC 60529/EN 60529)	IP67

**General data**

LED $\varnothing$	5 mm
Front panel hole diameter $\varnothing$	8 mm
Dimensions HxWxD	18.5x12x53 mm
Connection	Faston 2.8x0.8 mm
Housing	Adaptör - PVC, gri
Temperature range	-40...+70 °C

**Ticari bilgiler**

EAN	4048879040716
eClass	27261590
Gümrük tarife no (gtip)	85318070
Menşei	DE
Paket miktarı	10