

**MVK E/A KOMPAKTMODUL, METALLAUSFÜHRUNG**

Profibus DP, 16 dig. Aus

Dijital Outputlar

DO8 DO8

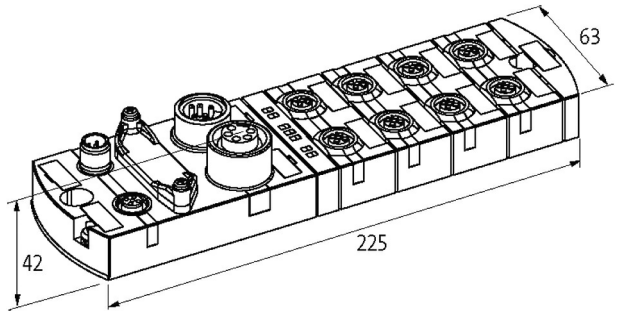
PROFIBUS 12 Mbit/s; M12, B-kodlu

7/8", 5 kutuplu, 2x max 9 A

M12, 5 kutuplu, A kodlu

Bağlantı hatlarını online mağazada "Bağlantı sistemleri" altında bulabilirsiniz

Gövde bütünüyle dökümdür.

**Ürün Linki**[örnekleme](#)

Ürün Image farklı olabilir

**Onaylar**

Approvals

**Daha Fazla Bilgi****General data**

Mounting method	2-hole screw mounting
Temperature range	-25...+55 °C (storage temperature -25...+70 °C)
Protection	IP67
Dimensions HxWxD	42x63x225 mm

**PROFIBUS**

Addressing Rotary switch 1...99

**Output**

Lamp load 10 W

Actuator supply UA	24 V DC (EN 61131-2), max. 9 A
--------------------	--------------------------------

Switching current per output	max. 1.6 A (short-circuit and overload protected)
------------------------------	---

**Connections**

Fieldbus	PROFIBUS 12 Mbit/s; M12, B-coded
----------	----------------------------------

Sensor-system/actuator supply	7/8", 5-pole, 2× max. 9 A
-------------------------------	---------------------------

I/O ports	M12, 5-pole, A-coded
-----------	----------------------

**Diagnostic**

Communication status	via LED
----------------------	---------

Diagnostic via LED	per module and channel
--------------------	------------------------

Diagnostic via BUS	per module and channel
--------------------	------------------------

Actuator warning	per channel via LED and BUS
------------------	-----------------------------

Monitoring - under voltage	yes
----------------------------	-----

Monitoring - no voltage	yes
-------------------------	-----

Short-circuit and overload	yes
----------------------------	-----

Cable break	per port
-------------	----------

**Ticari bilgiler**

EAN	4048879051613
-----	---------------

eClass	27242604
--------	----------

Gümrük tarife no (gtip)	85389099
-------------------------	----------

Menşei	DE
--------	----

Paket miktarı	1.000
---------------	-------