

MVK MPNIO DI16 galvanic separation

MVK PROFINET compact module, metal

Dijital Inputlar

DI16 (IRT)

Ethernet 10/100 Mbit/s; M12, D kodlu

7/8", 5 kutuplu, max 9 A, polarite korumalı

M12, 5 kutuplu, A kodlu

FSU (Fast-Start-Up)

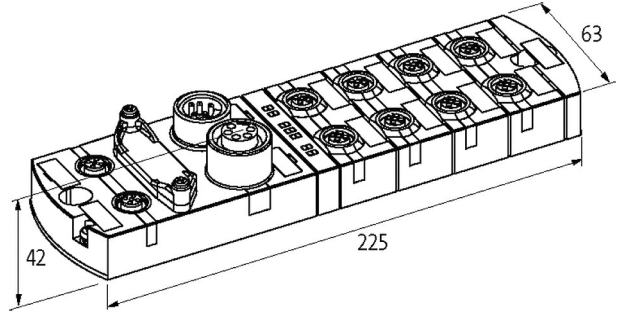
Galvaniz yalıtım

Bağlantı hatlarını online mağazada "Bağlantı sistemleri" altında bulabilirsiniz

Gövde bütünüyle dökümdür.

Ürün Linki

örnekleme



Ürün Image farklı olabilir

Onaylar

Approvals

Daha Fazla Bilgi



General data

Mounting method	2-hole screw mounting
Temperature range	-25...+55 °C (storage temperature -25...+70 °C)
Protection	IP67
Dimensions H×W×D	39×63×225 mm

Input

Sensor supply US	24 V DC (EN 61131-2), max. 200 mA (M12 female), short-circuit and overload protected
Type	for 3-wire sensors or mechanical switches, PNP

Parameterization

PIN 4	Input
PIN 2	Input

Connections

Fieldbus	Ethernet 10/100 Mbit/s; M12, D-coded
Sensor-system/actuator supply	7/8", 5-pole, max. 9 A, protection against reverse polarization
I/O ports	M12, 5-pole, A-coded

PROFINET

Specification	V2.3, Conformance Class C (IRT)
Addressing	DCP
FSU (Fast-Start-Up)	max. 500 ms
PROFINET Netload Class	III
MRP	yes
Shared Device/Input	yes, for 2 controls

Diagnostic

Communication status	via LED
Diagnostic via LED	per module and channel
Diagnostic via BUS	per module and channel
Actuator warning	per channel via LED and BUS
Monitoring - under voltage	yes
Monitoring - no voltage	yes
Short-circuit and overload	yes
Cable break	per port

Ticari bilgiler

EAN	4048879798976
Gümrük tarife no (gtip)	85389099
Menşei	DE
Paket miktarı	1.000

