

**AMS 3-10/44-2 OPTO-COUPLER MODULE**

İN: 53 VDC - OUT: 35 VDC / 2 A

Transistör 2 A (3-yollu)

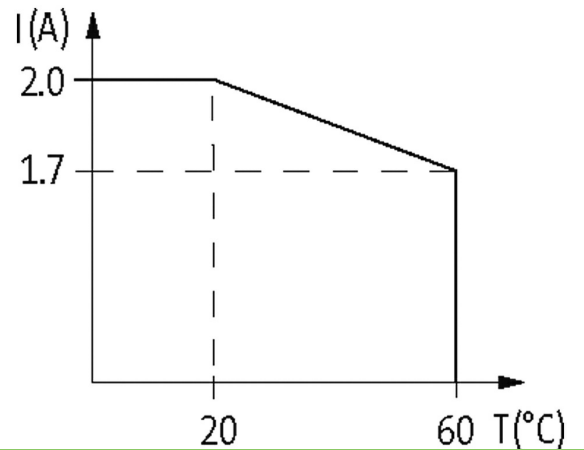
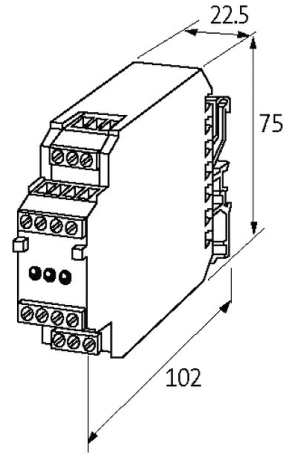
3 NO kontaklı

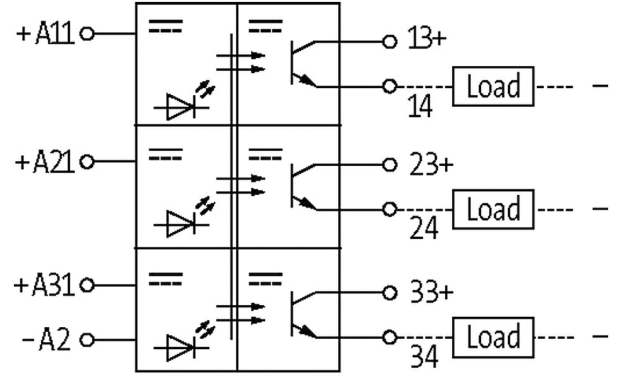
24 V DC

İstek üzerine 230 V AC kontrol voltajı

**Ürün Linki**

örnekleme





common negative for all 3 inputs = - A2

Ürün Image farklı olabilir

#### General data

Test isolation voltage	2.5 kV
Mounting method	TH35 veya G32 Raya Montaj (EN 60715)
Housing	Plastik siyah, alev geciktirici
Temperature range	-20...+60 °C
Dimensions HxWxD	75x22.5x85 mm

#### Output

Switching voltage	4.5...35 V DC
Switching current per output	10 mA...2 A (kısa devre korumalı)
Saturation voltage (across output)	max. 0.5 V DC
Leakage current (output is open)	max. 0.3 mA
Switching time ON/OFF	2/15 ms
Switching frequency	max 10/1 Hz (ohm./ind.)

#### Input

Voltage range ON	10...53 V DC
Voltage range OFF	0...3 V DC
Input current	10 mA
LED display	LED (kırmızı)

#### Ticari bilgiler

EAN	4048879028035
eClass	27371604
Gümrük tarife no (gtip)	85414090
Menşei	CZ
Paket miktarı	1