

PASSIVE-DI0° PLASTIC,6XM12,5POL,PRE-WIRED CABLE

15.0m PUR-JB 12*0,34+3*0,75

6 yollu, 5 kutuplu

PUR/PVC

15.0 m

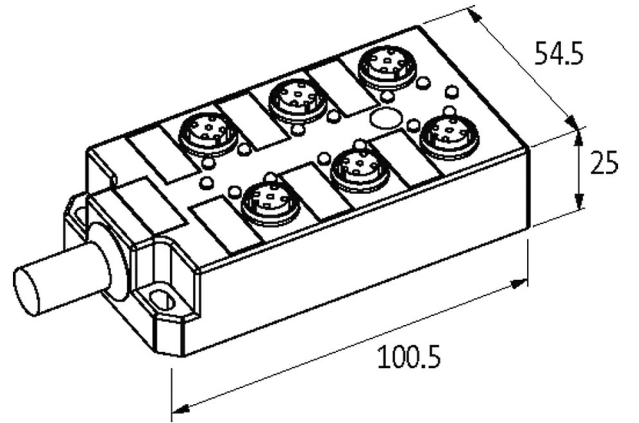
24 V DC PNP sinyalleri için LED'li

Farklı kablo boyları tedarik edilebilir.

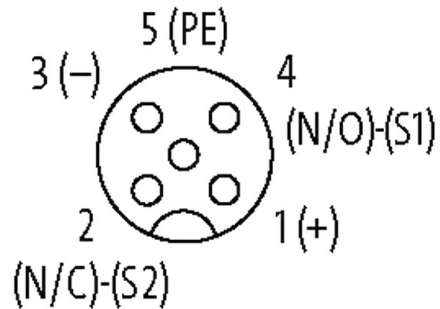
Gövde malzemesi plastik olup, kimyasal ve yağlara dayanıklıdır.

Ürün Linki

örnekleme



M12 Females 5-pole



Ürün Image farklı olabilir

Onaylar

Approvals

Daha Fazla Bilgi

Bus technologies

Technical Data

Operating voltage	24 V DC
Operating current per contact	max. 4 A
Locking of ports	Screw thread (M12×1 mm)
Signal per port	2
Total current	max. 10 A

General data

Temperature range	-20...+80 °C
Protection	IP67 inserted and tightened (EN 60529)
Dimensions H×W×D	100.5×54.5×25 mm

Cables

No./diameter of wires	12× 0.34 + 3× 0.75 mm ²
Wire isolation	PVC (yebr, rd, grpk, wh, rdbl, gn, whgn, ye, brgn, gr, whye, pk, br, gnye, bl)
C-track properties	2 Mio.
Outer Ø	9.8 mm ±5%
Cable number	388
Color (jacket)	gray
Jacket Color	gray
Temperature range (fixed)	-30...+80 °C
Temperature range (mobile)	-5...+70 °C
Bend radius (fixed)	10× outer Ø
Bend radius (moving)	12× outer Ø
Material (jacket)	PUR/PVC

Contact Layout

PIN 1	(+)
PIN 2	(NC)/(S2)
PIN 3	(-)
PIN 4	(NO)/(S1)
PIN 5	(Earth)
LED (green): Power / LED (yellow): (S1/S2)	

Ticari bilgiler

EAN	4048879062947
eClass	27279219
Gümrük tarife no (gtip)	85444290
Menşei	CZ
Paket miktarı	1.000