

PASSIVE-DI0° PLASTIC,4XM12,5POL,PRE-WIRED CABLE

10.0m PUR-JB 8*0,34+3*0,75

4 yollu, 5 kutuplu

PUR/PVC

10.0 m

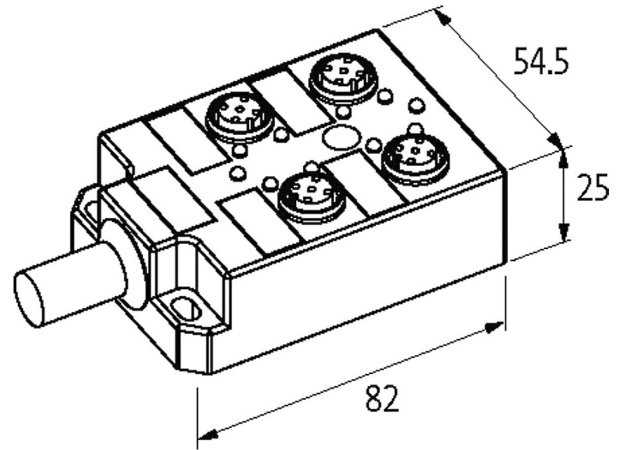
24 V DC PNP sinyalleri için LED'li

Farklı kablo boyları tedarik edilebilir.

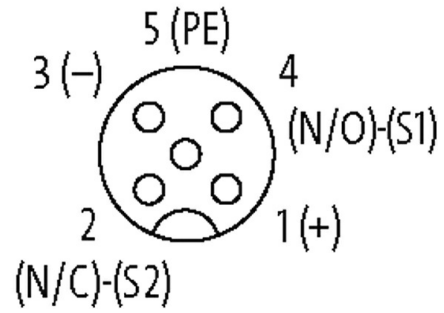
Gövde malzemesi plastik olup, kimyasal ve yağlara dayanıklıdır.

Ürün Linki

örnekleme



M12 Females 5-pole



Ürün Image farklı olabilir

Onaylar

Approvals

Daha Fazla Bilgi

Bus technologies

Technical Data

Operating voltage	24 V DC
Operating current per contact	max. 4 A
Locking of ports	Screw thread (M12×1 mm)

Bu broşürdeki bilgiler itina ile derlenmiştir.
Bilgilerin doğruluğu bütünlüğü ve güncelliği konusunda yükümlülük ihmalî sınırlıdır. Sürüm: 05/21

Signal per port	2
Total current	max. 10 A
General data	
Temperature range	-20...+80 °C
Protection	IP67 inserted and tightened (EN 60529)
Dimensions HxWxD	82x54.5x25 mm
Cables	
No./diameter of wires	8x 0.34 + 3x 0.75 mm ²
Wire isolation	PVC
C-track properties	2 Mio.
Outer Ø	8.1 mm ±5%
Cable identification	363
Cable Type	2 (PUR/PVC)
Cable number	363
Approval (cable)	UL (AWM-Style 21441/10955), CE conform
Cable weight [g/m]	115,5 g
Material (wire)	Cu wire, bare
Resistor (core)	max. 57 Ω/km (0.34 mm ²), max. 26 Ω/km (0.75 mm ²); (20 °C)
Single wire Ø (core)	0.15 mm (0.34 mm ²); 0.2 mm (0.75 mm ²)
Construction (core)	19x 0.15 mm (0.34 mm ²); 24x 0.2 mm (0.75 mm ²); (multi-strand wire class 5)
Diameter (core)	8x 0.34 + 3x 0.75 mm ²
AWG	similar to AWG 22 (0.34 mm ²); similar to AWG 18 (0.75 mm ²)
Material (wire isolation)	PVC
Material property (wire isolation)	CFC-, cadmium-, silicone- and lead-free
Shore hardness (wire isolation)	43 ±5 D
Wire-Ø incl. isolation	1.3 mm ±5% (0.34 mm ²); 1.8 mm ±5% (0.75 mm ²)
Color/numbering of wires	wh, ye, gr, grpk, rdbl, gn, whgn, brgn+bl, br, gnye longitudinally striped
Shield	no
Material (jacket)	PUR/PVC
Shore hardness (jacket)	87 ±5 A
Outer-Ø (jacket)	8.1 mm ±5%
Color (jacket)	gray
Jacket Color	gray
Cable labeling	see frame delivery specifications 7000-00000-001
chemical resistance	good resistance to oil, gasoline and chemicals (EN 60811-404)
Nominal voltage	U0/U 300/300 V AC
Test voltage	2000 V AC
Current load capacity	to DIN VDE 0298-4
Temperature range (fixed)	-30...+80 °C
Temperature range (fixed)	-30...+80 °C
Temperature range (mobile)	-5...+70 °C
Temperature range (mobile)	-5...+70 °C
Bend radius (fixed)	5x outer Ø
Bend radius (moving)	10x outer Ø
Bend radius (moving)	10x outer Ø
No. of bending cycles (C-track)	max. 2 Mio. (25 °C)
Travel speed (C-track)	max. 2 m/s
Acceleration (C-track)	max. 10 m/s ²
Material (jacket)	PUR/PVC (UL/CSA)
Contact Layout	
PIN 1	(+)
PIN 2	(NC)/(S2)
PIN 3	(-)

PIN 4	(NO)/(S1)
PIN 5	(Earth)
LED (green): Power / LED (yellow): (S1/S2)	

Ticari bilgiler

EAN	4048879062992
eClass	27279219
Gümrük tarife no (gtip)	85444290
Menşei	CZ
Paket miktarı	1.000