

M12 male 90° with cable

V2A PVC 5x0.34 bk UL/CSA 10m

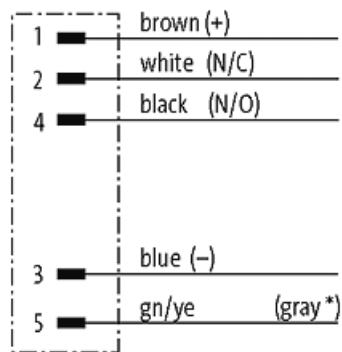
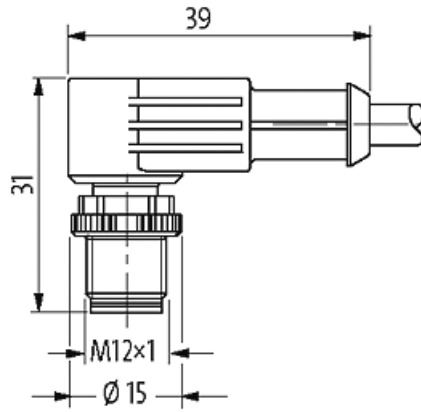
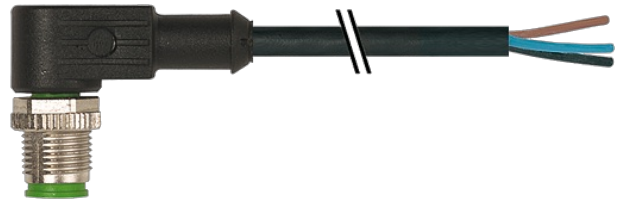
Male 90°

M12, 5

Art-No. 7005 -M12 Lite (,) .

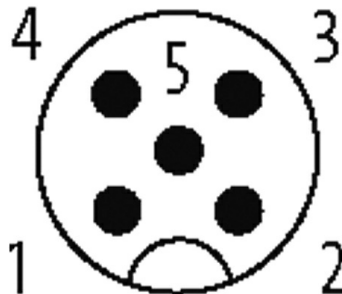
1.4305 (V2A)

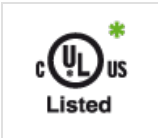
stay connected



(* for cable type 126, 732, 219, 619)

Male





* UL/CSA

	12121
	619
	1 (PVC)
()	UL (AWM-Style 2464/1731), CSA
[G/m]	48,40
(wire)	,
()	max. 60 Ω/km (20 °C)
-Ø	0.15 mm
()	19× 0.15 mm (5)
()	5× 0.34 mm ²
AWG	AWG 22
()	PVC
()	CFC, , ,
()	45 ±5 D
-Ø	1.25 mm ±5%
/	, , , ,
	5 .
(shielded)	no
	PVC
()	CFC, , ,
()	85 ±5 A
-Ø ()	5.2 mm ±5%
()	, ,
	UL 300 V AC
	2000 V AC
	DIN VDE 0298-4
()	-30...+80 °C
()	-5...+80 °C
()	5× Ø
()	10× Ø
/	5× 0.34 mm ²
	PVC (, , , ,)
	PVC (UL/CSA)
	5.2 mm ±5%
()	10× Ø
()	-30...+80 °C
()	-5...+80 °C
	max. 125 V AC/DC
(UL)	max. 30 V AC/DC
	max. 4 A
	IEC 60664-1, category I

	A-coded
	(M12×1 mm) 0.6 Nm ,
	M12 (SW13)
	IP66K, IP67 (EN 60529)
Locking	1.4305 (V2A)
	PUR
(-Ø)	10 mm
	3
	-25...+85 °C ()
EAN	4048879719063
eClass	27279218
	85444290
	DE
	1