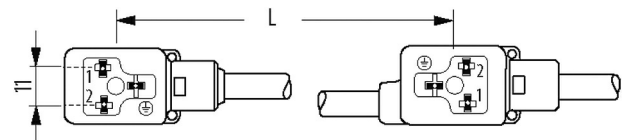
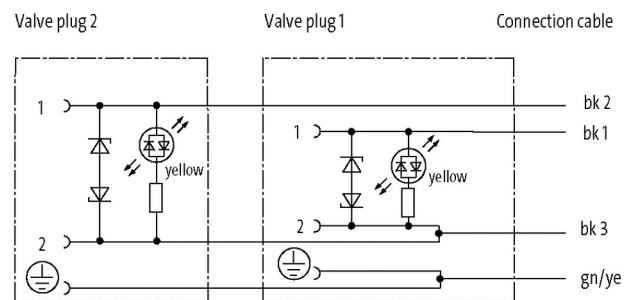
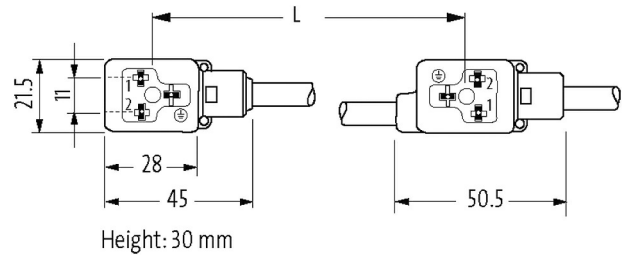
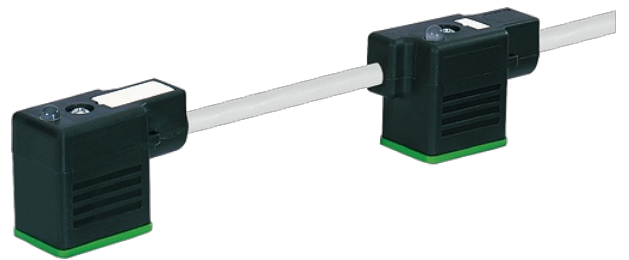


MSUD DOUBLE VALVE PLUG FORM BI 11MM

PUR 4X0.75 GRAY, 1.5m

MSUD
Form BI (11 mm)
24 V AC $\pm 20\%$ / DC $\pm 25\%$
LED, Suppression
L=200 mm



cCSAus

* UL/CSA

58141

/	4 × 0.75 mm ²
	PVC (1, 2, /)
C-track	2 Mio.
	PUR/PVC (UL/CSA)
	7.0 mm ±5%
()	15 × Ø
()	-30...+80 °C
()	-5...+80 °C
	227
	2 (PUR/PVC)
()	UL (AWM-Style 20549/1731), CSA; CE conform
[G/m]	80,19
(wire)	,
()	max. 26 Ω/km (20 °C)
-Ø	0.15 mm
()	42 × 0.15 mm (6)
()	4 × 0.75 mm ²
AWG	AWG 18
()	PVC
()	CFC, , , ,
()	43 ±5 D
-Ø	1.8 mm ±5%
/	, , /
	4
(shielded)	no
	PUR/PVC
()	CFC, , , , , , , , , ,
()	80 ±5 A (PVC-); 85 ±5 A (PUR-)
-Ø ()	7.0 mm ±5%
()	
	, ,
	UL 300 V AC
	2000 V AC
	DIN VDE 0298-4
()	-30...+80 °C
()	-5...+80 °C
()	10 × Ø
()	15 × Ø
(C-track)	max. 2 Mio. (25 °C)
(C-Track)	max. 5 m (horizontal)
(C-track)	max. 3.3 m/s
(C-track)	max. 5 m/s ²
	24 V AC ±20% / DC ±25%
	0.8 kV
	max. 4 A
	max. 15 mA

	IEC 60664-1, category I
	max. 55 V
	max. 20 ms
LED	
	M3 (0.4Nm)
	IP67 - (EN 60529)
	PBT
Locking	()
(-Ø)	
	()
	Diode/Z-Diode
	3
()	PUR
	-25...+85 °C ()
EAN	4048879136235
eClass	27279218
	85444290
	CZ
	1