

**MSUD DOUBLE VALVE PLUG FORM BI 11MM**

PUR 4X0.75 YELLOW, 1.5m

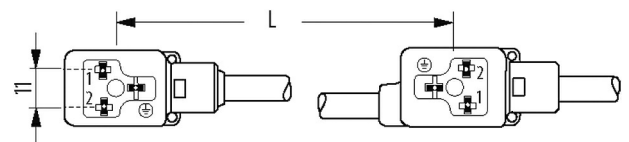
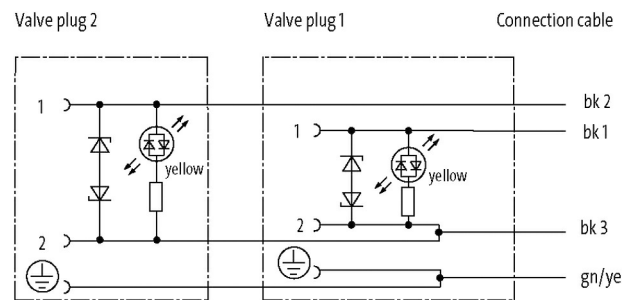
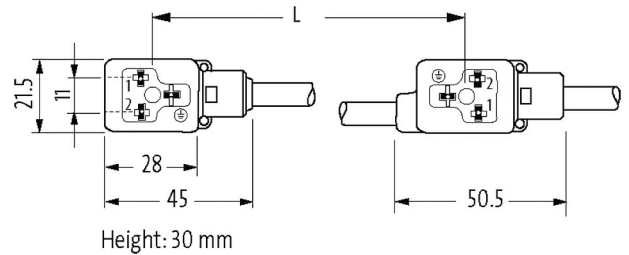
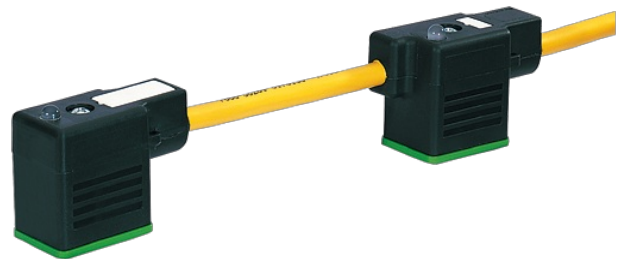
MSUD

Form BI (11 mm)

24 V AC ±20% / DC ±25%

LED, Suppression

L=150 mm



cCSAus

\* UL/CSA

58121

/	4x 0.75 mm <sup>2</sup>
	PVC ( 1, 2, /)
C-track	2 Mio.
	PUR/PVC (UL/CSA)
	6.5 mm ±5%
( )	15x Ø
( )	-30...+80 °C
( )	-5...+80 °C
	027
	2 (PUR/PVC)
( )	UL (AWM-Style 20549/1731), CSA; CE conform
[G/m]	74,80
(wire)	,
( )	max. 26 Ω/km (20 °C)
-Ø	0.15 mm
( )	42x 0.15 mm (6 )
( )	4x 0.75 mm <sup>2</sup>
AWG	AWG 18
( )	PVC
( )	CFC, , , , , , , , , , , , ,
( )	43 ±5 D
-Ø	1.8 mm ±5%
/	, , /
	4
(shielded)	no
	PUR/PVC
( )	CFC, , , , , , , , , , , , ,
( )	80 ±5 A (PVC- ); 85 ±5 A (PUR- )
-Ø ( )	6.5 mm ±5%
( )	, ,
	UL 300 V AC
	2000 V AC
	DIN VDE 0298-4
( )	-30...+80 °C
( )	-5...+80 °C
( )	10x Ø
( )	15x Ø
(C-track)	max. 2 Mio. (25 °C)
(C-Track)	max. 5 m (horizontal)
(C-track)	max. 3.3 m/s
(C-track)	max. 5 m/s <sup>2</sup>
	24 V AC ±20% / DC ±25%
	max. 4 A
	max. 55 V

	max. 20 ms
LED	( )
	12 mA
	( )
	M3 (0.4Nm )
	IP67 - (EN 60529)
	0.8 kV
	-25...+85 °C ( )
EAN	4048879136488
eClass	27279218
	85444290
	CZ
	1