

**MSUD DOUBLE VALVE PLUG FORM BI 11MM**

PVC 4X0.75 YELLOW, 5m

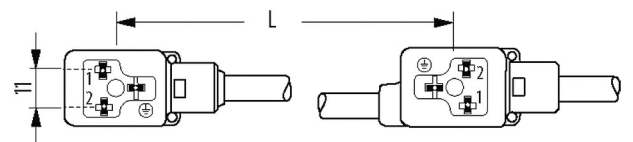
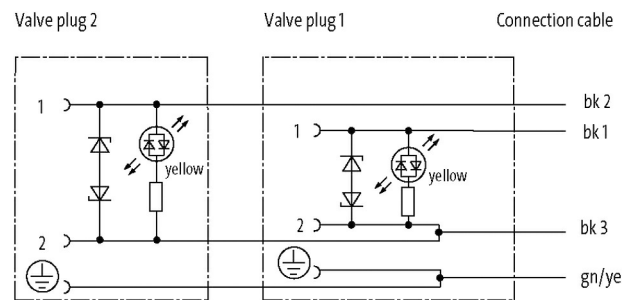
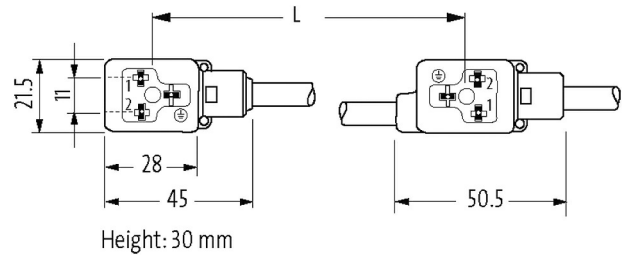
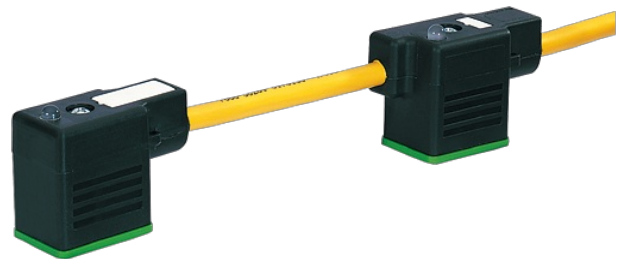
MSUD

Form BI (11 mm)

24 V AC  $\pm 20\%$  / DC  $\pm 25\%$

LED, Suppression

L=150 mm



cCSAus

\* UL/CSA

58121

/	4 × 0.75 mm <sup>2</sup>
	PVC ( 1, 2, / )
	PVC
	6.5 mm ±5%
( )	10 × Ø
( )	-30...+70 °C
( )	-5...+70 °C
	017
	1 (PVC)
( )	CE conform
[G/m]	81,40
(wire)	,
( )	max. 26 Ω/km (20 °C)
-Ø	0.2 mm
( )	24 × 0.2 mm (5 )
( )	4 × 0.75 mm <sup>2</sup>
AWG	AWG 18
( )	PVC
( )	CFC, , ,
( )	43 ±5 D
-Ø	1.8 mm ±5%
/	, , /
	4
(shielded)	no
	PVC
( )	CFC, , ,
( )	80 ±5 A
-Ø ( )	6.5 mm ±5%
( )	
	, ,
	300/500 V AC
	3000 V AC
	DIN VDE 0298-4
( )	-30...+70 °C
( )	-5...+70 °C
( )	5 × Ø
( )	10 × Ø
	24 V AC ±20% / DC ±25%
	max. 4 A
	max. 55 V
	max. 20 ms
LED	( )
	12 mA
	( )
	M3 (0.4Nm )
	IP67 - (EN 60529)

0.8 kV

-25...+85 °C ( )

eClass 27061801

85444290

CZ

1