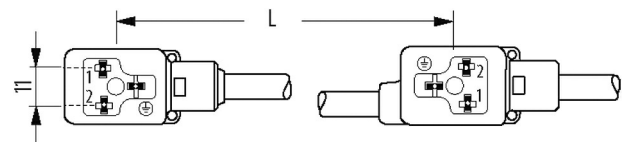
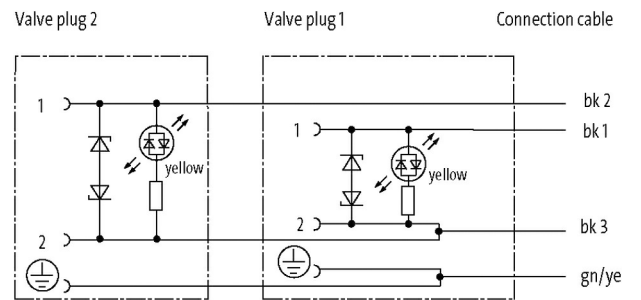
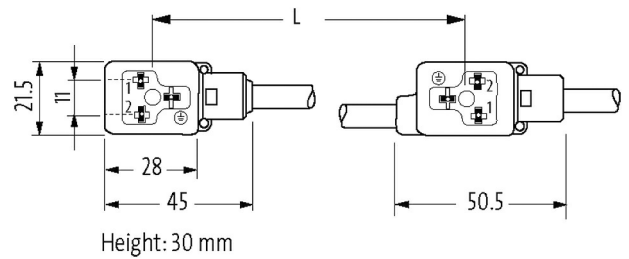
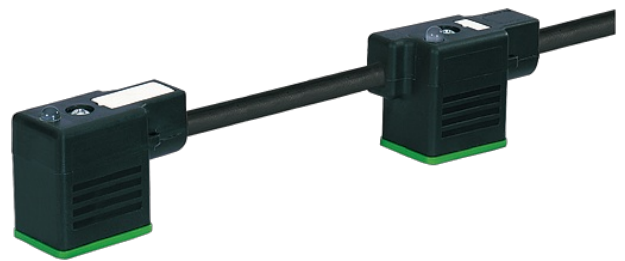


MSUD DOUBLE VALVE PLUG FORM BI 11MM

PVC 4X0.75 black 3m

MSUD
Form BI (11 mm)
24 V AC $\pm 20\%$ / DC $\pm 25\%$
LED, Suppression
L=100 mm



cCSAus

* UL/CSA

58101

/	4x 0.75 mm ²
	PVC (1, 2, /)
	PVC
	6.5 mm ±5%
()	10x Ø
()	-30...+70 °C
()	-5...+70 °C
	617
	1 (PVC)
()	CE conform
[G/m]	77,66
(wire)	,
()	max. 26 Ω/km (20 °C)
-Ø	0.2 mm
()	24x 0.2 mm (5)
()	4x 0.75 mm ²
AWG	AWG 18
()	PVC
()	CFC, , ,
()	43 ±5 D
-Ø	1.8 mm ±5%
/	, , /
	4
(shielded)	no
	PVC
()	CFC, , ,
()	80 ±5 A
-Ø ()	6.5 mm ±5%
()	, ,
	300/500 V AC
	3000 V AC
	DIN VDE 0298-4
()	-30...+70 °C
()	-5...+70 °C
()	5x Ø
()	10x Ø
	24 V AC ±20% / DC ±25%
	max. 4 A
	max. 55 V
	max. 20 ms
LED	()
	12 mA
	()
	M3 (0.4Nm)
	IP67 - (EN 60529)

0.8 kV

-25...+85 °C ()

EAN 4048879136549

eClass 27279218

85444290

CZ

1