

**M12 male 90° / M12 female 90°**

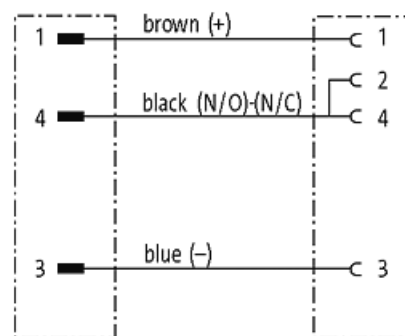
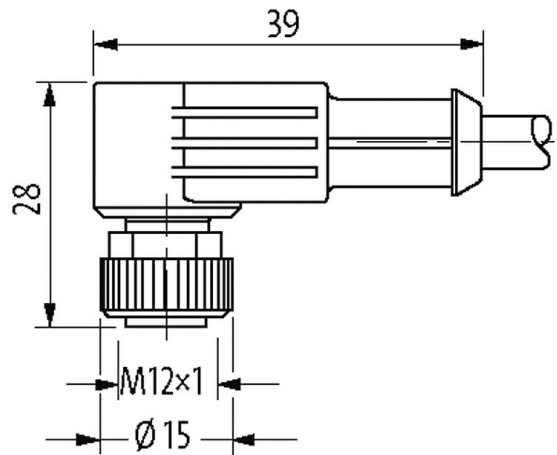
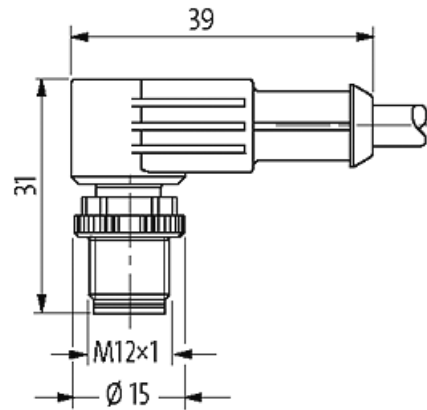
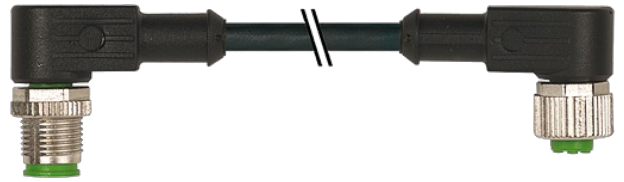
PUR 3x0.34 bk UL/CSA 1m

Male 90° – female 90°

M12 – M12, 3

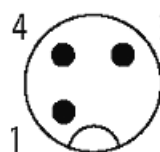
Art-No. 7005 -M12 Lite ( , ) .

stay connected



Male

Female





	max. 250 V AC/DC
(UL )	max. 30 V AC/DC
	max. 4 A
	IEC 60664-1, category I
	A-coded
	(M12×1 mm) 0.6 Nm ,
	M12 (SW13)
	IP66K, IP67 (EN 60529)
Locking	,
	PUR
( -Ø)	10 mm
	DIN EN 61076-2-101 (M12)
	3
	-25...+85 °C ( )
EAN	4048879171847
eClass	27279218
	85444290
	DE
	1