

M12 MALE 90° / M12 FEMALE 90°

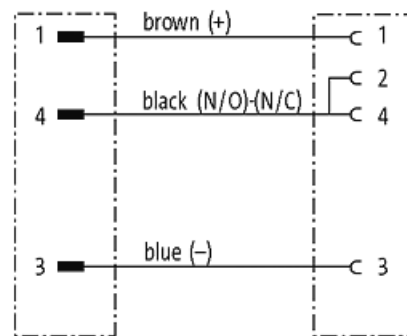
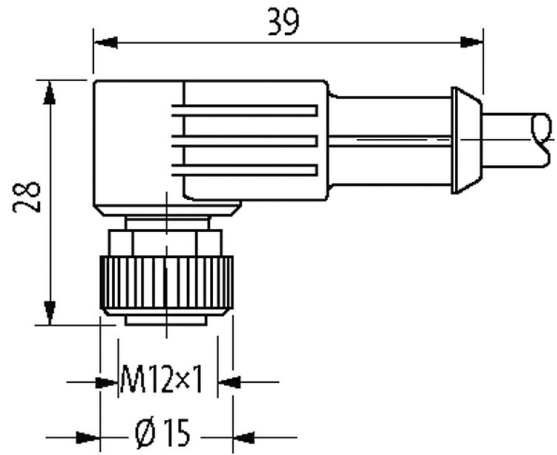
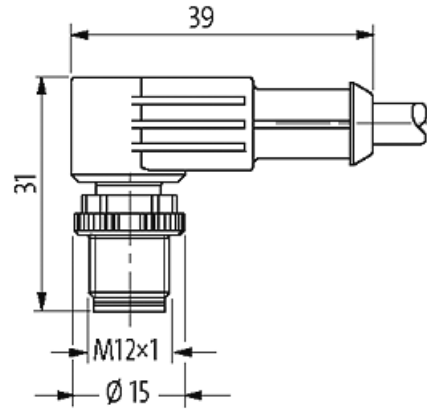
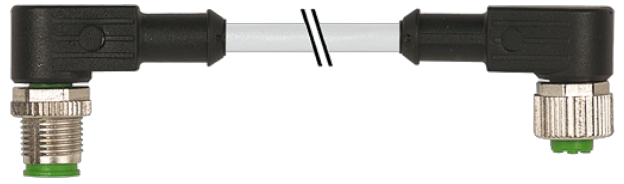
PUR 3X0.34 GRAY, UL/CSA, drag ch 2m

Male 90° – female 90°

M12 – M12, 3

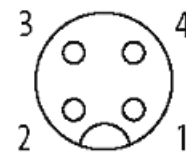
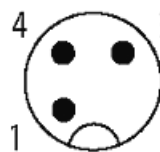
Art-No. 7005 -M12 Lite (,) .

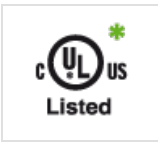
stay connected



Male

Female





* UL/CSA

40301

/	3 × 0.34 mm ²
C-track	10 Mio.
	PP (, ,)
	PUR (UL/CSA)
	4.1 mm ±5%
()	10 × Ø
()	-40...+80 °C
()	-25...+80 °C
	233
	3 (PUR)
()	cRUus (AWM-Style 20549/10493); CE conform
[G/m]	29,70
(wire)	,
()	max. 57 Ω/km (20 °C)
-Ø	0.1 mm
()	42 × 0.1 mm (6)
()	3 × 0.34 mm ²
AWG	AWG 22
()	PP
()	CFC, , , ,
()	70 ±5 D
-Ø	1.25 mm ±5%
/	, ,
	3
(shielded)	no
	PUR
()	CFC, , , , , , , , , ,
()	90 ±5 A
-Ø ()	4.1 mm ±5%
()	, , (EN 60811-404)
	300 V AC
	2500 V AC
	DIN VDE 0298-4
()	-40...+80 °C, (+90 °C 10 000)
()	-25...+80 °C, (+90 °C 10 000)
()	5 × Ø
()	10 × Ø
(C-track)	max. 10 Mio. (25 °C)
(C-track)	max. 3 m/s
(C-track)	max. 10 m/s ²
	±180°/m

	max. 2 Mio. (25 °C)
	35
<hr/>	
	max. 250 V AC/DC
(UL)	max. 30 V AC/DC
	max. 4 A
	IEC 60664-1, category I
	A-coded
	(M12×1 mm) 0.6 Nm ,
	M12 (SW13)
	IP66K, IP67 (EN 60529)
Locking	,
	PUR
(-Ø)	10 mm
<hr/>	
	DIN EN 61076-2-101 (M12)
	3
	-25...+85 °C ()
<hr/>	
EAN	4048879660006
eClass	27279218
	85444290
	DE
	1