

**M12 MALE 90° / M12 FEMALE 90°**

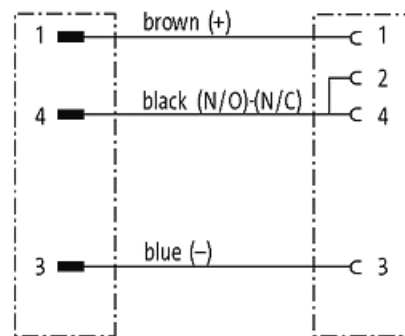
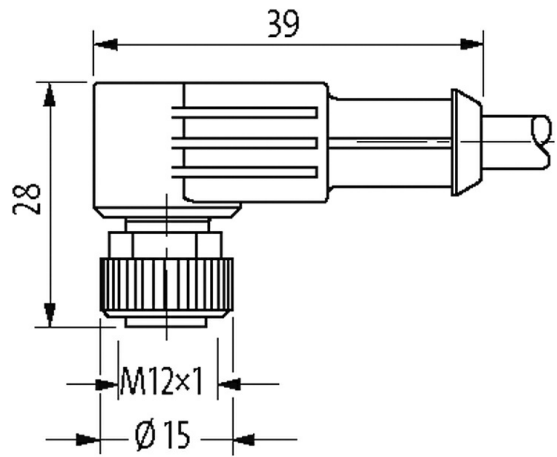
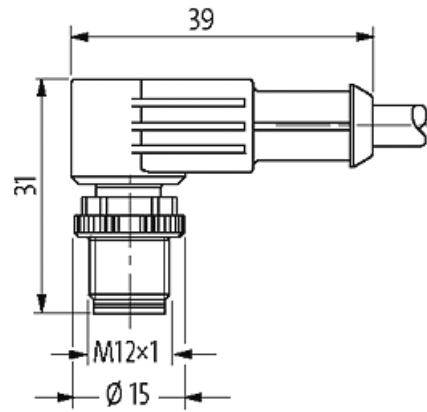
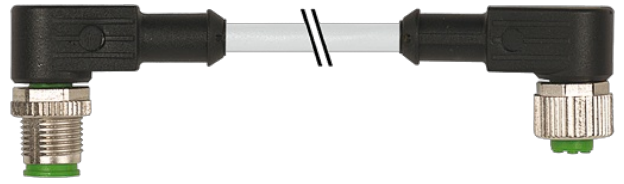
PVC 3X0.34 GRAY, UL/CSA 12m

Male 90° – female 90°

M12 – M12, 3

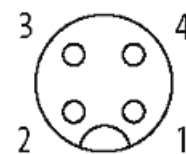
Art-No. 7005 -M12 Lite ( , ) .

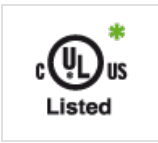
stay connected



Male

Female





\* UL/CSA

40301

/	3× 0.34 mm <sup>2</sup>
	PVC ( , , )
	PVC (UL/CSA)
	4.6 mm ±5%
( )	10× Ø
( )	-30...+80 °C
( )	-5...+80 °C
	213
	1 (PVC)
( )	UL (AWM-Style 2464/1731), CSA
[G/m]	34,10
(wire)	,
( )	max. 60 Ω/km (20 °C)
-Ø	0.15 mm
( )	19× 0.15 mm (5 )
( )	3× 0.34 mm <sup>2</sup>
AWG	AWG 22
( )	PVC
( )	CFC, , ,
( )	45 ±5 D
-Ø	1.25 mm ±5%
/	, ,
	3
(shielded)	no
	PVC
( )	CFC, , ,
( )	85 ±5 A
-Ø ( )	4.6 mm ±5%
( )	, ,
	UL 300 V AC
	2000 V AC
	DIN VDE 0298-4
( )	-30...+80 °C
( )	-5...+80 °C
( )	5× Ø
( )	10× Ø
	max. 250 V AC/DC
(UL )	max. 30 V AC/DC

	max. 4 A
	IEC 60664-1, category I
	A-coded
	(M12×1 mm) 0.6 Nm ,
	M12 (SW13)
	IP66K, IP67 (EN 60529)
Locking	,
	PUR
( -Ø)	10 mm
	DIN EN 61076-2-101 (M12)
	3
	-25...+85 °C ( )
eClass	27061801
	85444290
	DE
	1