

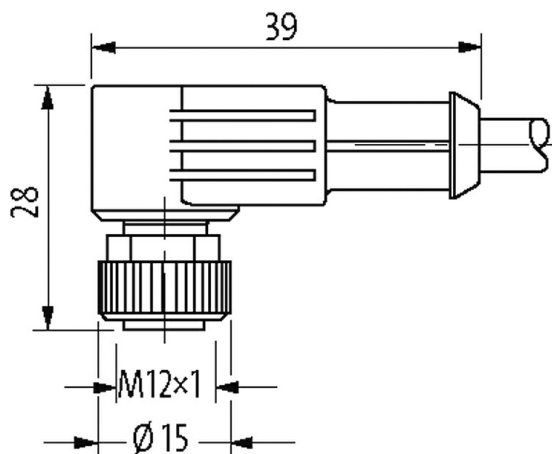
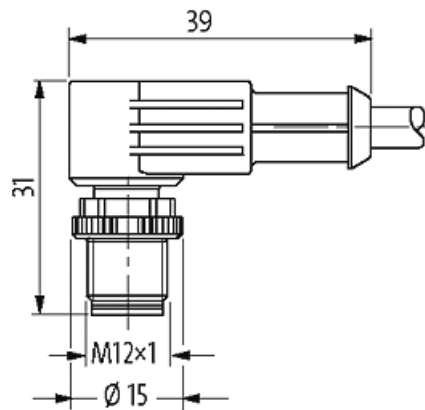
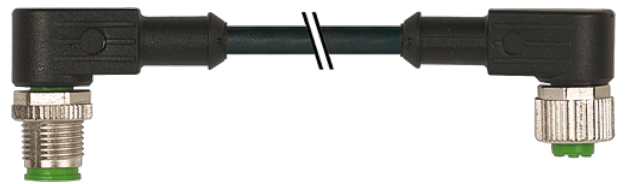
M12 MALE 90° / M12 FEMALE 90°

PVC 5X0.34 black 1.5m

Male 90° – female 90°

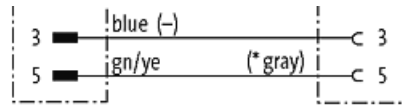
M12 – M12, 5

Art-No. 7005 -M12 Lite (,) .



1	brown (+)	c 1
2	white (N/C)	c 2
4	black (N/O)	c 4

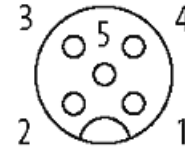
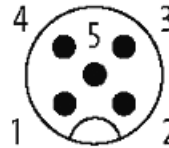
stay connected



(* for cable type 126, 732, 219, 619)

Male

Female



* UL/CSA

	40285
	729
/	5 x 0.34 mm ²
	PVC (, , , ,)
	PVC
	5.9 mm ±5%
()	10 x Ø
()	-30...+80 °C
()	-5...+70 °C
	729
()	CE conform
[G/m]	59,51
(wire)	,
()	max. 57 Ω/km (20 °C)
-Ø	0.15 mm
()	19 x 0.15 mm (5)
()	5 x 0.34 mm ²
AWG	AWG 22
()	PVC
/	, , , ,
	5
(shielded)	no
	PVC
-Ø ()	5.9 mm ±5%
()	,
	300/500 V AC
	2000 V AC

()	-30...+70 °C
()	-5...+70 °C
()	10× Ø
	max. 125 V AC/DC
(UL)	max. 30 V AC/DC
	1.5 kV
	max. 4 A
	IEC 60664-1, category I
	5
	A-coded
LED	no
	(M12×1 mm) 0.6 Nm ,
	M12 (SW13)
	IP65, IP66K, IP67 (EN 60529)
Locking	,
	PUR
(-Ø)	10 mm
	DIN EN 61076-2-101 (M12)
	3
	-25...+85 °C ()
	85444290
	DE
	1