

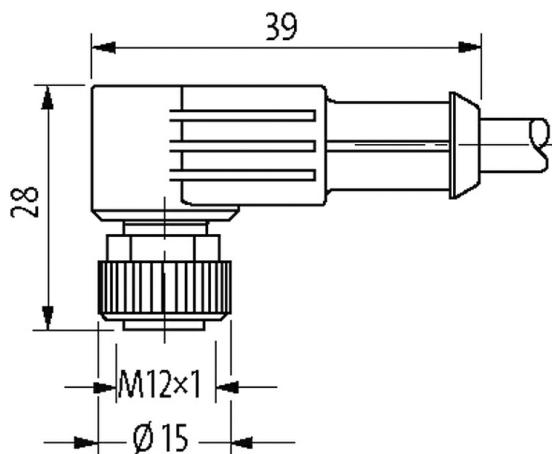
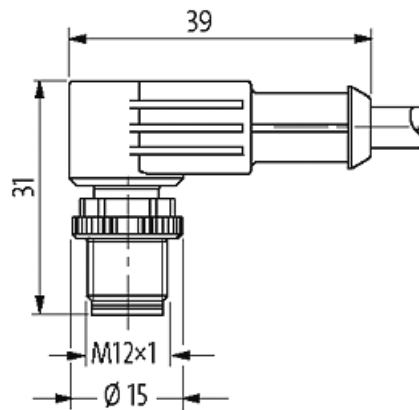
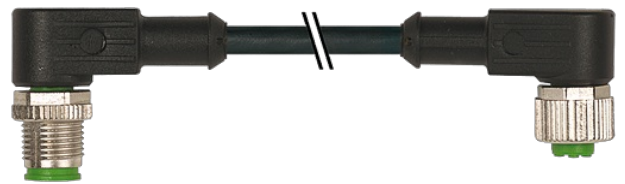
**M12 MALE 90° / M12 FEMALE 90°**

PVC 5X0.34 black 0.6m

Male 90° – female 90°

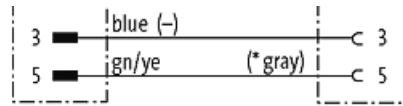
M12 – M12, 5

Art-No. 7005 -M12 Lite ( , ) .



1	brown (+)	c 1
2	white (N/C)	c 2
4	black (N/O)	c 4

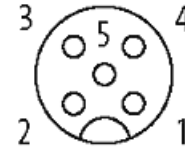
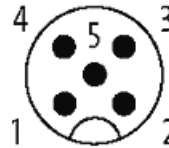
stay connected



(\* for cable type 126, 732, 219, 619)

Male

Female



\* UL/CSA

	40285
	729
/	5 x 0.34 mm <sup>2</sup>
	PVC ( , , , , )
	PVC
	5.9 mm ±5%
( )	10x Ø
( )	-30...+80 °C
( )	-5...+70 °C
	729
( )	CE conform
[G/m]	59,51
(wire)	,
( )	max. 57 Ω/km (20 °C)
-Ø	0.15 mm
( )	19 x 0.15 mm (5 )
( )	5 x 0.34 mm <sup>2</sup>
AWG	AWG 22
( )	PVC
/	, , , ,
	5
(shielded)	no
	PVC
-Ø ( )	5.9 mm ±5%
( )	,
	300/500 V AC
	2000 V AC

( )	-30...+70 °C
( )	-5...+70 °C
( )	10× Ø
	max. 125 V AC/DC
(UL )	max. 30 V AC/DC
	1.5 kV
	max. 4 A
	IEC 60664-1, category I
	5
	A-coded
LED	no
	(M12×1 mm) 0.6 Nm ,
	M12 (SW13)
	IP65, IP66K, IP67 (EN 60529)
Locking	,
	PUR
( -Ø)	10 mm
	DIN EN 61076-2-101 (M12)
	3
	-25...+85 °C ( )
eClass	27061801
	85444290
	DE
	1