

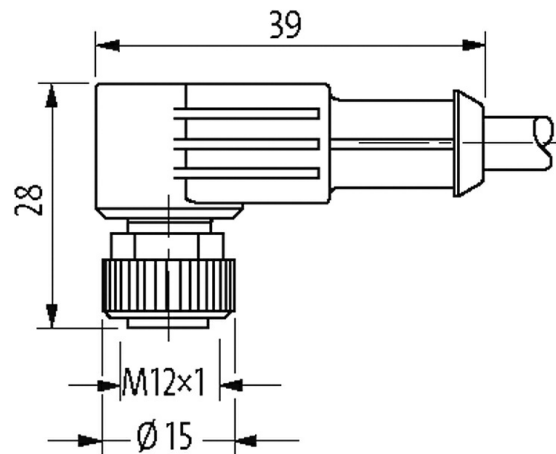
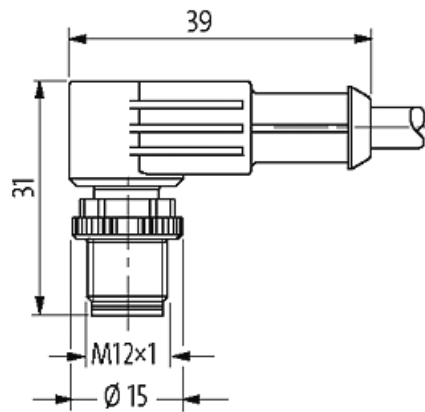
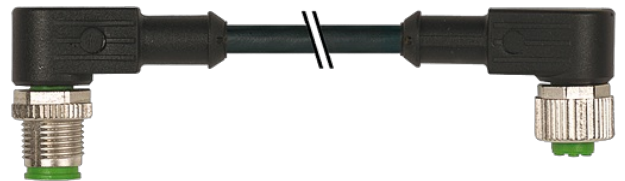
**M12 MALE 90° / M12 FEMALE 90°**

PUR 5X0.34 black UL/CSA 1.5m

Male 90° – female 90°

M12 – M12, 5

Art-No. 7005 -M12 Lite ( , )



1	brown (+)	C 1
2	white (N/C)	C 2
4	black (N/O)	C 4
2	blue (-)	C 3

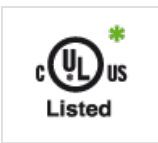
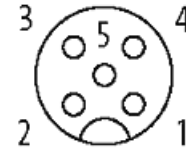
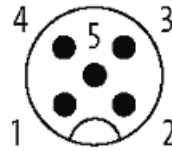
stay connected



(\* for cable type 126, 732, 219, 619)

Male

Female



\* UL/CSA

	40281
/	5x 0.34 mm <sup>2</sup>
	PP ( , , , )
C-track	10 Mio.
	PUR (UL/CSA)
	4.8 mm ±5%
( )	10x Ø
( )	-40...+80 °C
( )	-25...+80 °C
	732
	3 (PUR)
( )	cRUus (AWM-Style 20549/10493); CE conform
[G/m]	41,80
(wire)	,
( )	max. 57 Ω/km (20 °C)
-Ø	0.1 mm
( )	42x 0.1 mm (6 )
( )	5x 0.34 mm <sup>2</sup>
AWG	AWG 22
( )	PP
( )	CFC, , , ,
( )	70 ±5 D
-Ø	1.25 mm ±5%
/	, , , ,
	5
(shielded)	no
	PUR
( )	CFC, , , , , , , , , ,
( )	90 ±5 A
-Ø ( )	4.8 mm ±5%

( )	, , (EN 60811-404)
	300 V AC
	2500 V AC
	DIN VDE 0298-4
( )	-40...+80 °C, (+90 °C 10 000 )
( )	-25...+80 °C, (+90 °C 10 000 )
( )	5x Ø
( )	10x Ø
(C-track)	max. 10 Mio. (25 °C)
(C-track)	max. 3 m/s
(C-track)	max. 10 m/s <sup>2</sup>
	±180°/m
	max. 2 Mio. (25 °C)
	35
	max. 125 V AC/DC
(UL )	max. 30 V AC/DC
	max. 4 A
	IEC 60664-1, category I
	A-coded
	(M12×1 mm) 0.6 Nm ,
	M12 (SW13)
	IP66K, IP67 (EN 60529)
Locking	,
	PUR
( -Ø)	10 mm
	3
	-25...+85 °C ( )
EAN	4048879171960
eClass	27279218
	85444290
	CZ
	1