

**M12 FEMALE 0°**

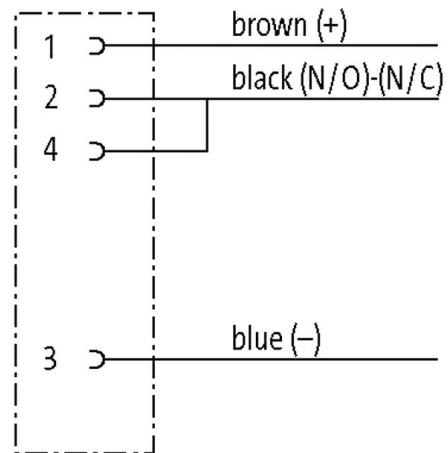
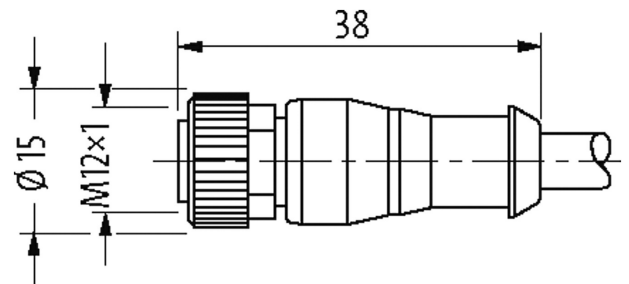
PUR 3X0.34 black UL/CSA, drag ch 1.5m

Female

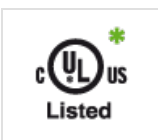
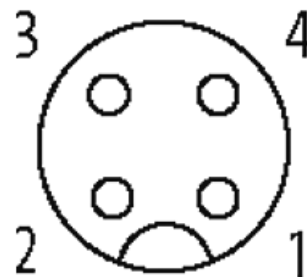
M12, 4

Art-No. 7005 -M12 Lite ( , ) .

stay connected



Female



\* UL/CSA

CE

EAC

12161

3 x 0.34 mm<sup>2</sup>

PP (,,)

C-track	10 Mio.
	PUR (UL/CSA)
	4.1 mm ±5%
( )	10× Ø
( )	-40...+80 °C
( )	-25...+80 °C
	633
	3 (PUR)
( )	cRUus (AWM-Style 20549/10493); CE conform
[G/m]	29,70
(wire)	,
( )	max. 57 Ω/km (20 °C)
-Ø	0.1 mm
( )	42× 0.1 mm (6 )
( )	3× 0.34 mm <sup>2</sup>
AWG	AWG 22
( )	PP
( )	CFC, , , ,
( )	70 ±5 D
-Ø	1.25 mm ±5%
/	, ,
	3
(shielded)	no
	PUR
( )	CFC, , , , , , , , , ,
( )	90 ±5 A
-Ø ( )	4.1 mm ±5%
( )	, , (EN 60811-404)
	300 V AC
	2500 V AC
	DIN VDE 0298-4
( )	-40...+80 °C, (+90 °C 10 000 )
( )	-25...+80 °C, (+90 °C 10 000 )
( )	5× Ø
( )	10× Ø
(C-track)	max. 10 Mio. (25 °C)
(C-track)	max. 3 m/s
(C-track)	max. 10 m/s <sup>2</sup>
	±180°/m
	max. 2 Mio. (25 °C)
	35
	max. 250 V AC/DC
(UL )	30 V AC/DC
	2.5 kV
	max. 4 A
	4

	IEC 60664-1, category I
	A-coded
LED	no
	(M12×1 mm) 0.6 Nm ,
	M12 (SW13)
	IP65, IP66K, IP67 (EN 60529)
Locking	,
	PUR
( -Ø)	10 mm
	DIN EN 61076-2-101 (M12)
( )	
( )	Au
( )	FKM
	3
( )	20 mm
	-25...+85 °C ( )
EAN	4048879214483
eClass	27279218
	85444290
	DE
	1