

**M12 FEMALE 0°**

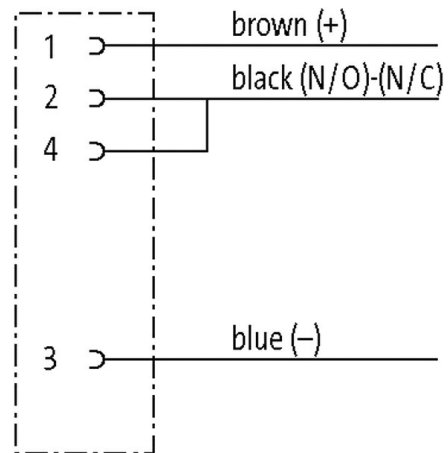
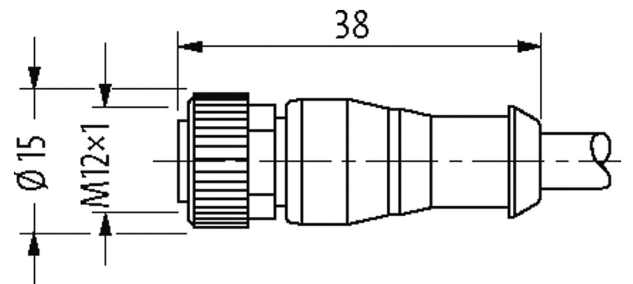
PVC 3X0.34 black UL/CSA 5m

Female

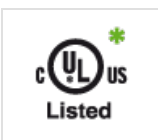
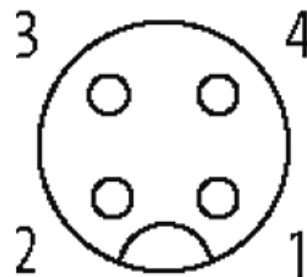
M12, 4

Art-No. 7005 -M12 Lite ( , ) .

stay connected



Female



\* UL/CSA

CE

EAC

12161

3 x 0.34 mm<sup>2</sup>

PVC ( , , )

	PVC (UL/CSA)
	4.6 mm ±5%
( )	10× Ø
( )	-30...+80 °C
( )	-5...+80 °C
	613
	1 (PVC)
( )	UL (AWM-Style 2464/1731), CSA
[G/m]	34,10
(wire)	,
( )	max. 60 Ω/km (20 °C)
-Ø	0.15 mm
( )	19× 0.15 mm (5 )
AWG	AWG 22
( )	PVC
( )	CFC, , ,
( )	45 ±5 D
-Ø	1.25 mm ±5%
/	, ,
	3
(shielded)	no
	PVC
( )	CFC, , ,
( )	85 ±5 A
-Ø ( )	4.6 mm ±5%
( )	,
	UL 300 V AC
	2000 V AC
	DIN VDE 0298-4
( )	-30...+80 °C
( )	-5...+80 °C
( )	5× Ø
( )	10× Ø

	max. 250 V AC/DC
(UL )	30 V AC/DC
	2.5 kV
	max. 4 A
	4
	IEC 60664-1, category I
	A-coded
LED	no
	(M12×1 mm) 0.6 Nm ,
	M12 (SW13)
	IP65, IP66K, IP67 (EN 60529)
Locking	,
	PUR
( -Ø)	10 mm

DIN EN 61076-2-101 (M12)

( )	
( )	Au
( )	FKM
	3
( )	20 mm
	-25...+85 °C ( )

EAN 4048879214568

eClass 27279218

85444290

DE

1