

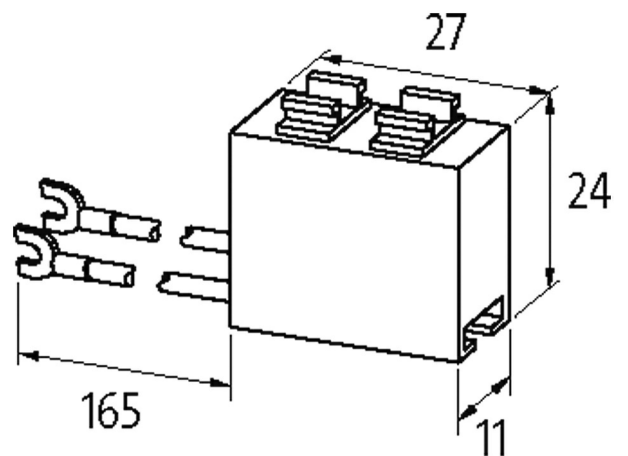
SIEMENS CONTACTOR SUPPRESSOR

RC, 230/400VAC

230 V AC/DC

400 V AC/DC

RC



RC



(contactor)

3 TH 3/4/8; 3 TF 30...45; 3 TB 40...3 TB 44

	1.5x UN
	UL (UL 94)
	"Y"
HxWxD	11x27x24 mm
	-20...+70 °C
EAN	4048879019774
eClass	27371013
	85363010
	CZ
	1