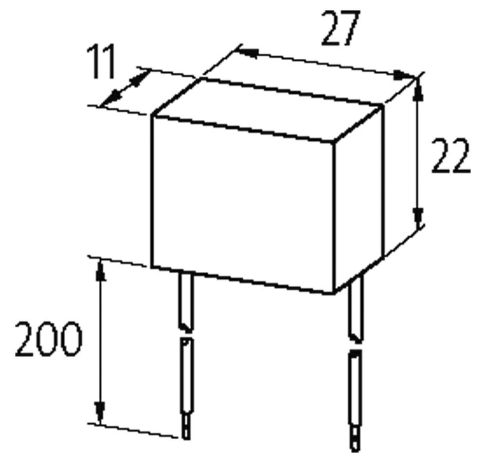


SUPPRESSOR FOR CONTACTORS

RC, 400 VAC/DC 50 VAW

400 V AC/DC
RC



RC



(contactor)

| | |
|--------|----------------|
| | 1.5x UN |
| | UL (UL 94) |
| (W) | max. 50 W (VA) |
| HxWxD | 22x27x11 mm |
| | -20...+70 °C |
| EAN | 4048879020305 |
| eClass | 27371013 |
| | 85363010 |
| | CZ |
| | 1 |