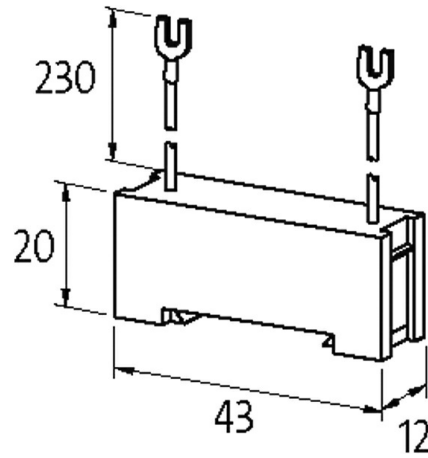


SUPPRESSOR FOR CONTACTORS

RC, 400 VAC/DC, 25 VA

400 V AC/DC
RC

stay connected



RC



(contactor)

(W)

25 W (VA)

H×W×D	20×43×12 mm
	-20...+70 °C
EAN	4048879020619
eClass	27371013
	85363010
	CZ
	1