

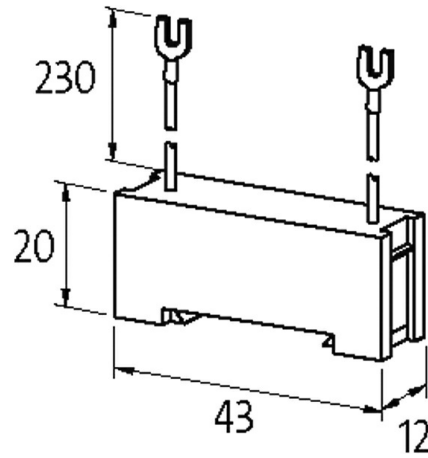
**SUPPRESSOR FOR CONTACTORS**

RC, 230 VAC/DC, 25 VA/W

230 V AC/DC  
RC



*stay connected*



RC



(contactor)

(W)

25 W (VA)

H×W×D	20×43×12 mm
	-20...+70 °C
EAN	4048879020626
eClass	27371013
	85363010
	CZ
	1