

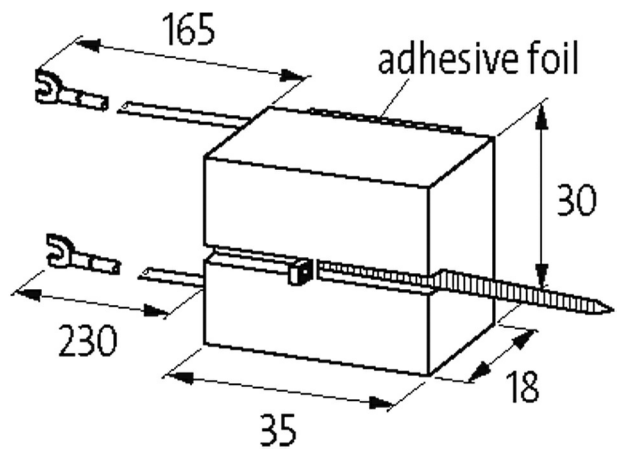
UNIVERSAL CONTACTOR SUPPRESSOR

RC, 48VDC15VA/W

48 V AC/DC

RC





RC



(contactor)



	1.5× UN
	UL (UL 94)
	"γ"
(W)	15 W (VA)
<hr/>	
H×W×D	35×30×18 mm
	-20...+70 °C
<hr/>	
EAN	4048879020657
eClass	27371013
	85363010
	CZ
	1